



## Adjustable open-ended spanner, metric

4026N



Art.No. 40260108  
GTIN 4018754299584  
Model 4026 8

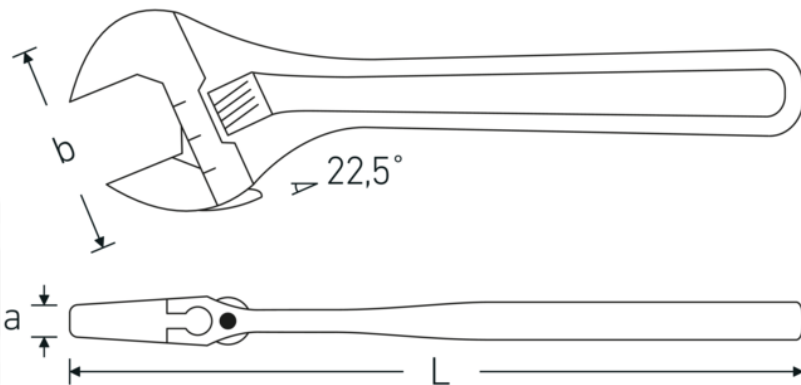
**Label.** Adjustable open-ended spanner max. spanner size 30mm L.207mm

- Features.**
- left-handed
  - DIN 3117/ISO 6787 (B shape)
  - ASME B 107.100
  - jaw offset 22.5°
  - Chrome-Vanadium, gunmetal finish

## Advantages.

Left-handed.

## Technical Drawing.



## Technical Attributes.

<b>a</b>	14 mm
<b>Width mm (b)</b>	62 mm
<b>Size</b>	8
<b>Length mm (L)</b>	207 mm
<b>Schlüsselweite max. [mm]</b>	30 mm

## Logistics data.

<b>Depth mm (IFS)</b>	206
<b>Width mm (IFS)</b>	57
<b>Height mm (IFS)</b>	13
<b>Length (packed, mm)</b>	213
<b>Width (packed, mm)</b>	67
<b>Height (packed, mm)</b>	50
<b>Volume (packed, dm3)</b>	0.71355 dm3
<b>Art. no.</b>	40260108
<b>Weight (gross, kg)</b>	1,235
<b>Weight PAP (kg)</b>	0,000
<b>Weight PVC (kg)</b>	0,010
<b>GTIN</b>	4018754299584
<b>Country of origin</b>	SPAIN
<b>Region of origin</b>	Ausländischer Ursprung
<b>WEEE/ElektroG</b>	nicht ear-pflichtig
<b>Customs tariff no.</b>	82041200
<b>Packing standard</b>	5
<b>Weight</b>	310 g

## Variants.

Art. no.	Art. no. (ERP)	Description	GTIN
40260104	4026 4	Adjustable open-ended spanner max. spanner size 13mm L.115mm	4018754299560
40260106	4026 6	Adjustable open-ended spanner max. spanner size 24mm L.161mm	4018754299577
40260108	4026 8	Adjustable open-ended spanner max. spanner size 30mm L.207mm	4018754299584
40260110	4026 10	Adjustable open-ended spanner max. spanner size 34mm L.259mm	4018754299591
40260112	4026 12	Adjustable open-ended spanner max. spanner size 39mm L.311mm	4018754299607
40260115	4026 15	Adjustable open-ended spanner max. spanner size 44mm L.386mm	4018754299614
40260118	4026 18	Adjustable open-ended spanner max. spanner size 53mm L.462mm	4018754299621

## GTIN-Code.



**STAHLWILLE Eduard Wille GmbH & Co. KG**

Lindenallee 27 · 42349 Wuppertal · Germany · Phone: +49 202 4791-0 · Fax: +49 202 4791-200  
info@stahlwille.de · www.stahlwille.com · Copyright by STAHLWILLE Eduard Wille GmbH & Co. KG, Wuppertal  
Copyright by STAHLWILLE Eduard Wille GmbH & Co. KG, Wuppertal