



## Adjustable open-ended spanner, metric

4025



Art.No. 40250115  
GTIN 4018754299546  
Model 4025 15

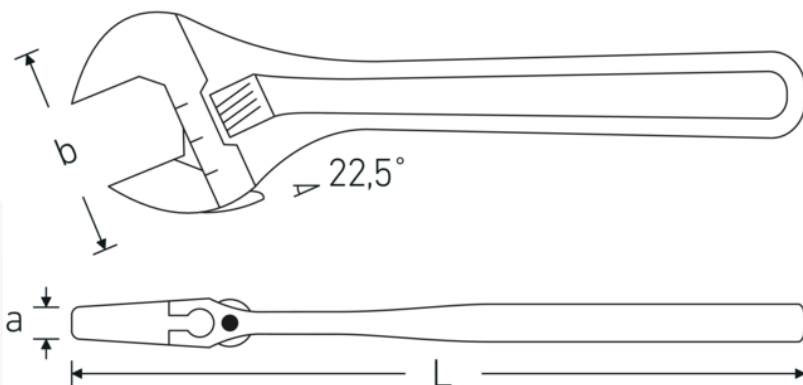
**Label.** Adjustable open-ended spanner max. spanner size 44mm L.386mm

- Features.**
- right-handed
  - DIN 3117/ISO 6787 (B shape)
  - ASME B107.100
  - jaw offset 22.5°
  - Chrome Vanadium, chrome plated

## Advantages.

Right-handed.

## Technical Drawing.



## Technical Attributes.

<b>a</b>	25 mm
<b>Width mm (b)</b>	106 mm
<b>Size</b>	15
<b>Length mm (L)</b>	386 mm
<b>Schlüsselweite max. [mm]</b>	44 mm

## Logistics data.

<b>Depth mm (IFS)</b>	385
<b>Width mm (IFS)</b>	100
<b>Height mm (IFS)</b>	24
<b>Length (packed, mm)</b>	386
<b>Width (packed, mm)</b>	101
<b>Height (packed, mm)</b>	25
<b>Volume (packed, dm3)</b>	0.97465 dm3
<b>Art. no.</b>	40250115
<b>Weight (gross, kg)</b>	1,287
<b>Weight PAP (kg)</b>	0,000
<b>Weight PVC (kg)</b>	0,018
<b>GTIN</b>	4018754299546
<b>Country of origin</b>	SPAIN
<b>Region of origin</b>	Ausländischer Ursprung
<b>WEEE/ElektroG</b>	nicht ear-pflichtig
<b>Customs tariff no.</b>	82041200
<b>Packing standard</b>	1
<b>Weight</b>	1320 g

## Variants.

<b>Art. no.</b>	<b>Art. no. (ERP)</b>	<b>Description</b>	<b>GTIN</b>
40250104	4025 4	Adjustable open-ended spanner max. spanner size 13mm L.115mm	4018754299492
40250106	4025 6	Adjustable open-ended spanner max. spanner size 24mm L.161mm	4018754299508
40250108	4025 8	Adjustable open-ended spanner max. spanner size 30mm L.207mm	4018754299515
40250110	4025 10	Adjustable open-ended spanner max. spanner size 34mm L.259mm	4018754299522
40250112	4025 12	Adjustable open-ended spanner max. spanner size 39mm L.311mm	4018754299539
40250115	4025 15	Adjustable open-ended spanner max. spanner size 44mm L.386mm	4018754299546
40250118	4025 18	Adjustable open-ended spanner max. spanner size 53mm L.462mm	4018754299553

## GTIN-Code.



**STAHLWILLE Eduard Wille GmbH & Co. KG**

Lindenallee 27 · 42349 Wuppertal · Germany · Phone: +49 202 4791-0 · Fax: +49 202 4791-200  
info@stahlwille.de · www.stahlwille.com · Copyright by STAHLWILLE Eduard Wille GmbH & Co. KG, Wuppertal  
Copyright by STAHLWILLE Eduard Wille GmbH & Co. KG, Wuppertal