

## Service MANOSKOP® torque wrenches w.mount for insert tools

730Na/20



Art.No. 50581020  
GTIN 4018754139590  
Model 730NA/20



### Label.

Torque wrench service MANOSKOP® No. 730Na/20 Measuring r. 350-1800in lb Tool holders 14 x 18 mm L. 467mm

### Features.

- mount for interchangeable insert tools
- QuickRelease safety lock
- can be applied for either clockwise or anticlockwise tightening by turning the inserts over
- display deviation value  $\pm 3\%$  (size 2; a/2 4 %)

## Advantages.

Mount for interchangeable inserts/sockets.

## Product highlights.



### Flexible rod principle.

Mechanical torque wrenches from STAHLWILLE have a wear-resistant trigger system with a flexible rod. In contrast to conventional torque wrenches with spiral springs, the STAHLWILLE system eliminates one key work step: once the fastener has been tightened, it is not necessary to reset the wrench to »0«.



### Simple.

Quick adjustment from outside, no disassembly of the torque wrench required, with two adjustment points for the maximum & minimum values.

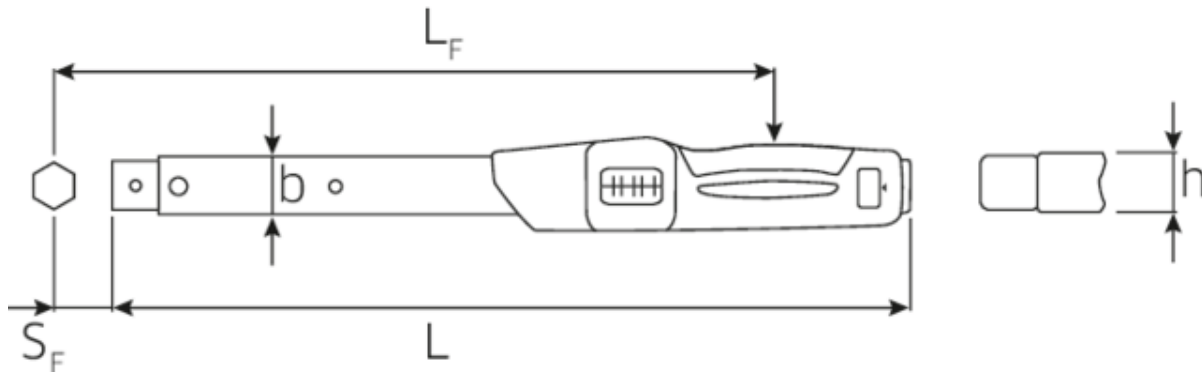


### Clicking.

When the target torque is reached, MANOSKOP® 730N provides a noticeable tactile dual stop signal.

**Clear view.**

Easy-to-read dual scale with colour differentiation between the N·m and ft.lb scales to simplify fine setting.

**Technical Drawing.****Technical Attributes.**

Measuring range ft·lb	30-150 ft·lb
Measuring range in·lb	350-1800 in·lb
Width mm (b)	28 mm
Fine scale division	10 in·lb
Size	a/20
Size square socket [inside square drive]	14 x 18 mm
Height mm (h)	23 mm
Length mm (L)	467 mm
LF	424,5 mm
SF	25 mm
Scale division [E1]	100 in·lb
Scale division [E2]	5 ft·lb

**Logistics data.**

Depth mm (IFS)	495
Width mm (IFS)	52
Height mm (IFS)	52
Length (packed, mm)	495
Width (packed, mm)	52
Height (packed, mm)	52
Volume (packed, dm <sup>3</sup> )	1.33848 dm <sup>3</sup>
Art. no.	50581020
Weight (gross, kg)	1,540
Weight PAP (kg)	0,000
Weight PVC (kg)	0,110
GTIN	4018754139590
Country of origin	GERMANY
Region of origin	Nordrhein-Westfalen
WEEE/ElektroG	nicht ear-pflichtig
Customs tariff no.	82041100
Packing standard	1
Weight	1264 g

## Variants.

Art. no.	Art. no. (ERP)	Description	GTIN
50181002	730N/2	Torque wrench service MANOSKOP® No. 730N/2 Measuring r. 2-20N·m Tool holders 9 x 12 mm L. 275mm	4018754170777
50581002	730NA/2	Torque wrench service MANOSKOP® No. 730Na/2 Measuring r. 20-180in lb Tool holders 9 x 12 mm L. 275mm	4018754170784
50581102	730NA/2 40-180 INLB	Service MANOSKOP torque wrenches w.mount for insert tools No. 730NA Measuring r. 40-180in lb Tool holders 9 x 12 mm L. 275mm	4018754295326
50581040	730NA/40	Torque wrench service MANOSKOP® No. 730Na/40 Measuring r. 60-300in lb Tool holders 14 x 18 mm L. 607mm	4018754164004
50581020	730NA/20	Torque wrench service MANOSKOP® No. 730Na/20 Measuring r. 350-1800in lb Tool holders 14 x 18 mm L. 467mm	4018754139590
50581010	730NA/10	Torque wrench service MANOSKOP® No. 730Na/10 Measuring r. 180-900in lb Tool holders 9 x 12 mm L. 386mm	4018754139576
50581005	730NA/5	Torque wrench service MANOSKOP® No. 730Na/5 Measuring r. 90-450in lb Tool holders 9 x 12 mm L. 330mm	4018754139569

## GTIN-Code.



**STAHLWILLE Eduard Wille GmbH & Co. KG**

Lindenallee 27 · 42349 Wuppertal · Germany · Phone: +49 202 4791-0 · Fax: +49 202 4791-200

info@stahlwille.de · www.stahlwille.com · Copyright by STAHLWILLE Eduard Wille GmbH & Co. KG, Wuppertal

Copyright by STAHLWILLE Eduard Wille GmbH & Co. KG, Wuppertal