

Service MANOSKOP® torque wrenches w. permanently installed fine-tooth ratchet

730NR/10QR FK



Art.No. 96502110
GTIN 4018754180509
Model 730NR/10QR FK



Label.

Torque wrench service MANOSKOP® No. 730NR/10QR FK Measuring r. 20-100N·m
Drive 1/2 L. 428,5mm

Features.

- in sturdy plastic box
- with QuickRelease safety lock
- **deviation of indication $\pm 4\%$**

Advantages.

Display deviation $\pm 4\%$.

Product highlights.



Flexible rod principle.

Mechanical torque wrenches from STAHLWILLE have a wear-resistant trigger system with a flexible rod. In contrast to conventional torque wrenches with spiral springs, the STAHLWILLE system eliminates one key work step: once the fastener has been tightened, it is not necessary to reset the wrench to »0«.



Simple.

Quick adjustment from outside, no disassembly of the torque wrench required, with two adjustment points for the maximum & minimum values.



Clear view.

Easy-to-read dual scale with colour differentiation between the N·m and ft.lb scales to simplify fine setting.



Clicking.

When the target torque is reached, MANOSKOP® 730N provides a noticeable tactile dual stop signal.

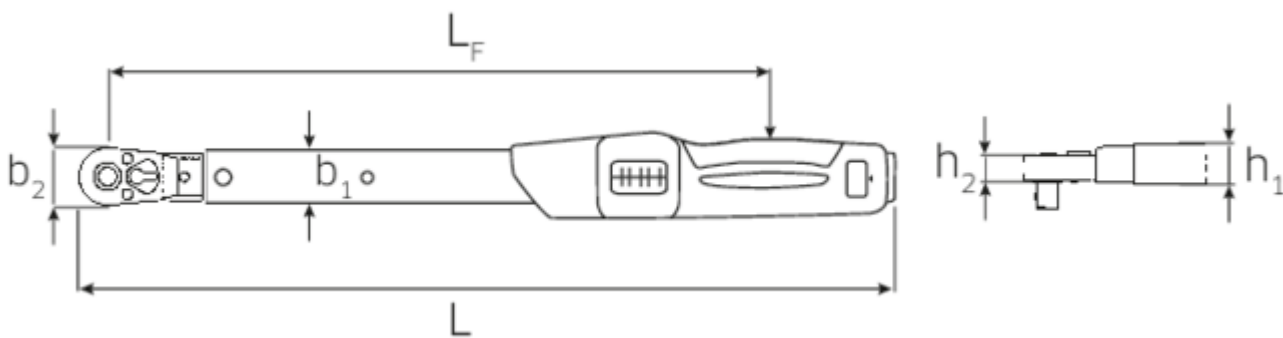
Technologies and features.



QuickRelease

The QuickRelease technology ensures tools cannot be inadvertently lost – while enabling rapid, safe tool changes.

Technical Drawing.



Technical Attributes.

Measuring range N·m	20-100 N·m
Measuring range ft·lb	15-75 ft·lb
External square drive (inch)	1/2
b1	28 mm
b2	29 mm
Width mm (b)	92 mm
Fine scale division	0,5 N·m
Weight with box	1554 g
Size	10QR FK
Height mm (h)	70 mm
Height mm (h1)	23 mm
Height mm (h2)	14,5 mm
Length mm (L)	428,5 mm
LF	346,5 mm
Scale division [E1]	10 N·m
Scale division [E2]	2,5 ft·lb

Logistics data.

Depth mm (IFS)	560
Width mm (IFS)	92
Height mm (IFS)	70
Length (packed, mm)	560
Width (packed, mm)	92
Height (packed, mm)	70
Volume (packed, dm ³)	3.6064 dm ³
Art. no.	96502110
Weight (gross, kg)	1,730
Weight PAP (kg)	0,095
Weight PVC (kg)	0,000
GTIN	4018754180509
Country of origin	GERMANY
Region of origin	Nordrhein-Westfalen
WEEE/ElektroG	nicht ear-pflichtig
Customs tariff no.	82041100
Packing standard	1
Weight	1129 g

Variants.

Art. no.	Art. no. (ERP)	Description	GTIN
96502105	730NR/5QR FK	Torque wrench service MANOSKOP® No. 730NR/5QR FK Measuring r. 10-50N·m Drive 3/8 L. 372,5mm	4018754180493
96502110	730NR/10QR FK	Torque wrench service MANOSKOP® No. 730NR/10QR FK Measuring r. 20-100N·m Drive 1/2 L. 428,5mm	4018754180509
96502120	730NR/20QR FK	Torque wrench service MANOSKOP® No. 730NR/20QR FK Measuring r. 40-200N·m Drive 1/2 L. 526mm	4018754180516

GTIN-Code.



STAHLWILLE Eduard Wille GmbH & Co. KG

Lindenallee 27 · 42349 Wuppertal · Germany · Phone: +49 202 4791-0 · Fax: +49 202 4791-200
info@stahlwille.de · www.stahlwille.com · Copyright by STAHLWILLE Eduard Wille GmbH & Co. KG, Wuppertal
Copyright by STAHLWILLE Eduard Wille GmbH & Co. KG, Wuppertal