



## Angle of rotation tester

### SmartCheck Angle

Art.No. 96521400  
GTIN 4018754323005  
Model SMARTCHECK ANGLE

**Label.** Angle of rotation tester Measuring r.

**Features.**

- Variable and flexible rotation angle tester thanks to exchangeable supports for rotation angle spanners up to 400 N·m
- Display, display holder and base body can be rotated by 180°
- 1/2 inch square fixture
- The display and membrane keypad are splash-proof and the housing is made of impact-resistant plastic.
- The rotating arm can be fixed for transport
- Rotation angle measurements up to 720° with target value setting and evaluation of the measurement results directly on the unit
- USB interface for documentation of test values
- Up to 200 test values with time stamp can be stored in the unit
- Optional documentation software via free download link

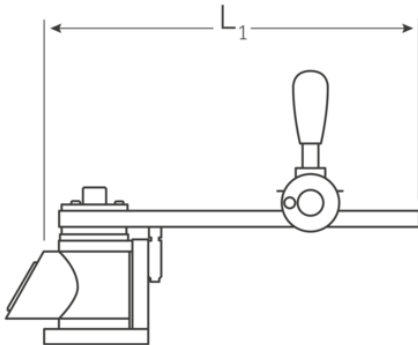
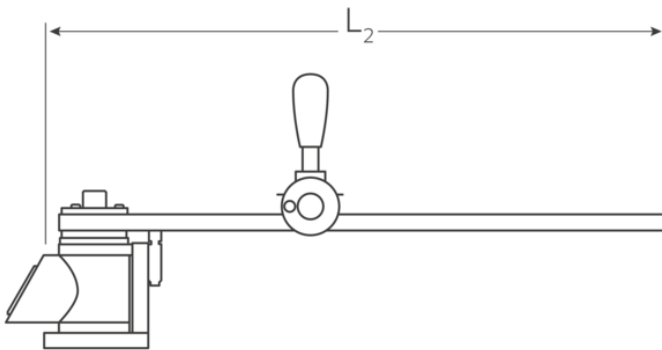
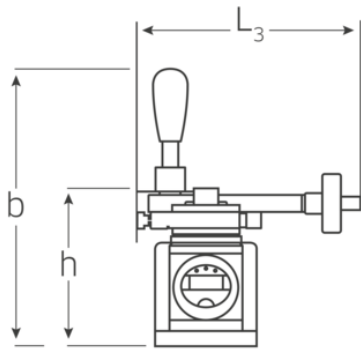
**2 application modes:**  
Continuous display (track)  
Peak value display (Peak-Hold)  
Operation via mains adaptor or battery

**Usage:**  
Simple checking of rotation angle spanners for compliance with the specified tolerance

**Scope of delivery:**  
Includes USB power supply, reducing adaptors to 1/4" or 3/8", in sturdy plastic case



## Technical Drawing.



## Technical Attributes.

Measuring range N·m	-400 N·m
Width mm (b)	375 mm
Height mm (h)	213 mm

## Logistics data.

Depth mm (IFS)	730
Width mm (IFS)	375
Height mm (IFS)	213
Length (packed, mm)	730
Width (packed, mm)	375
Height (packed, mm)	213
Volume (packed, dm <sup>3</sup> )	58.30875 dm <sup>3</sup>
Art. no.	96521400
Weight (gross, kg)	11,500

<b>Weight PAP (kg)</b>	1,000
<b>Weight PVC (kg)</b>	0,000
<b>GTIN</b>	4018754323005
<b>Country of origin</b>	GERMANY
<b>Region of origin</b>	Nordrhein-Westfalen
<b>WEEE/ElektroG</b>	Kleingeräte B2C
<b>Customs tariff no.</b>	90318080
<b>Packing standard</b>	1
<b>Weight</b>	7800 g

## Variants.

Art. no.	Art. no. (ERP)	Description	GTIN
96521400	SMARTCHECK ANGLE	Angle of rotation tester Measuring r.	4018754323005

## GTIN-Code.



**STAHLWILLE Eduard Wille GmbH & Co. KG**

Lindenallee 27 · 42349 Wuppertal · Germany · Phone: +49 202 4791-0 · Fax: +49 202 4791-200  
 info@stahlwille.de · www.stahlwille.com · Copyright by STAHLWILLE Eduard Wille GmbH & Co. KG, Wuppertal  
 Copyright by STAHLWILLE Eduard Wille GmbH & Co. KG, Wuppertal