



## Service MANOSKOP® torque wrench w.mount for insert tools

### 730 Fix



Art.No. **96503080**  
GTIN **4018754269662**  
Model **730/80 FIX**



#### Label.

Service MANOSKOP torque wrench w.mount for insert tools No. 730 Fix Measuring r. 160-800N·m Tool holders 22 x 28 mm L. 1178mm

#### Features.

- For work in serial production
- Adjustment knob can be unscrewed after setting the trigger torque - unintentional changing of the setpoint torque is thus prevented
- The included TORX® Tamper Resistant fuse screw also protects against tampering as well as the included adhesive seals No adjustment possible without breaking the seal
- Triggering
- No reset to "0" required, since measuring element is only loaded during the tightening process
- Mount for interchangeable bits/sockets
- QuickRelease safety lock
- Fast, precise adjustment with QuickSelect quick adjustment
- Dual stop signal
- Easy to read double scale with colour differentiation of N·m/ft·lb and ft·lb/in·lb respectively
- Counter-clockwise tightening by turning the bits/sockets
- Continued loading after triggering or loading against the operating direction, e.g. with screws that are stuck, does not affect the triggering mechanism, which is therefore protected from damage.
- 2-component handle with hand-friendly green soft zone (resistant to oils, greases, fuels, brake fluids and Skydrol)
- Calibration with perfectControl® calibration system No. 7794 or calibration device No. 7706. Where applicable Readjustment does not require disassembly
- Certificate in accordance with DIN EN ISO 6789-2:2017
- DBGM
- In a sturdy plastic box (size 80-100 in sturdy steel box)
- **Display deviation ± 3%**

#### Advantages.

For work in serial production.

## Product highlights.



### Flexible rod principle.

Mechanical torque wrenches from STAHLWILLE have a wear-resistant trigger system with a flexible rod. In contrast to conventional torque wrenches with spiral springs, the STAHLWILLE system eliminates one key work step: once the fastener has been tightened, it is not necessary to reset the wrench to »0«.



### Simple.

Quick adjustment from outside, no disassembly of the torque wrench required, with two adjustment points for the maximum & minimum values.



### Clear view.

Easy-to-read dual scale with colour differentiation between the N·m and ft.lb scales to simplify fine setting.

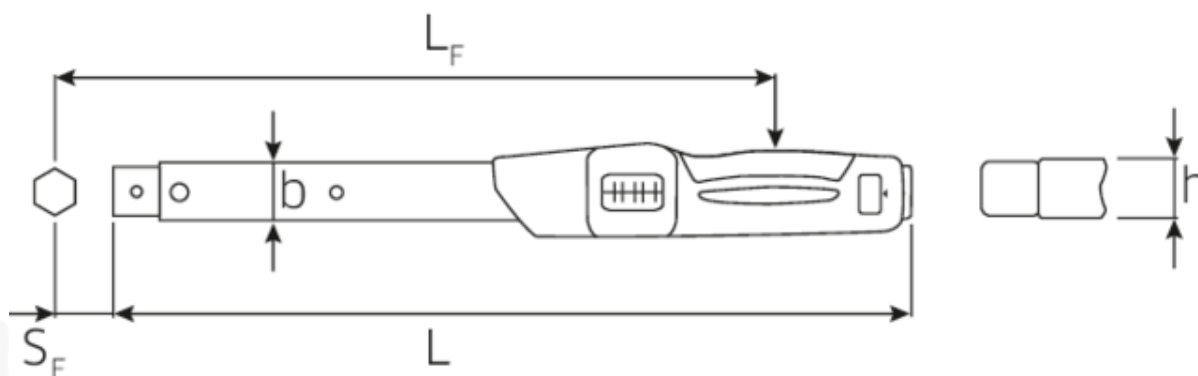
## Technologies and features.



### Value Lock (tamper resistant)

Adjustment knob can be unscrewed after setting the release torque. This prevents unintentional changing of the set torque. The supplied TORX® TAMPERRESISTENT locking screw also protects against tampering. The same applies to the enclosed adhesive seals. No adjustment possible without breaking the seal.

## Technical Drawing.



## Technical Attributes.

Measuring range N·m	160-800 N·m
Measuring range ft·lb	120-600 ft·lb

## Logistics data.

Depth mm (IFS)	1500
Width mm (IFS)	130

<b>Width mm (b)</b>	30,6 mm	<b>Height mm (IFS)</b>	100
<b>Fine scale division</b>	5 N·m	<b>Length (packed, mm)</b>	1500
<b>Weight with box</b>	10500 g	<b>Width (packed, mm)</b>	130
<b>Size</b>	80	<b>Height (packed, mm)</b>	100
<b>Size square socket [inside square drive]</b>	22 x 28 mm	<b>Volume (packed, dm<sup>3</sup>)</b>	19.5 dm <sup>3</sup>
<b>Height mm (h)</b>	25,6 mm	<b>Art. no.</b>	96503080
<b>Length mm (L)</b>	1178 mm	<b>Weight (gross, kg)</b>	10,665
<b>LF</b>	1167 mm	<b>Weight PAP (kg)</b>	0,650
<b>MA N·m</b>	160 N·m	<b>Weight PVC (kg)</b>	0,000
<b>Nominal value N·m</b>	800 N·m	<b>GTIN</b>	4018754269662
<b>SF</b>	55 mm	<b>Country of origin</b>	GERMANY
<b>Scale division [E1]</b>	100 N·m	<b>Region of origin</b>	Nordrhein-Westfalen
<b>Scale division [E2]</b>	25 ft·lb	<b>WEEE/ElektroG</b>	nicht ear-pflichtig
		<b>Customs tariff no.</b>	82041100
		<b>Packing standard</b>	1
		<b>Weight</b>	4794 g

## Variants.

Art. no.	Art. no. (ERP)	Description	GTIN
96503005	730/5 FIX	Service MANOSKOP torque wrench w.mount for insert tools No. 730 Fix Measuring r. 10-50N·m Tool holders 9 x 12 mm L. 330mm	4018754269433
96503010	730/10 FIX	Service MANOSKOP torque wrench w.mount for insert tools No. 730 Fix Measuring r. 20-100N·m Tool holders 9 x 12 mm L. 386mm	4018754269440
96503012	730/12 FIX	Service MANOSKOP torque wrench w.mount for insert tools No. 730 Fix Measuring r. 25-130N·m Tool holders 14 x 18 mm L. 421mm	4018754269457
96503020	730/20 FIX	Service MANOSKOP torque wrench w.mount for insert tools No. 730 Fix Measuring r. 40-200N·m Tool holders 14 x 18 mm L. 467mm	4018754269464
96503040	730/40 FIX	Service MANOSKOP torque wrench w.mount for insert tools No. 730 Fix Measuring r. 80-400N·m Tool holders 14 x 18 mm L. 607mm	4018754269471
96503065	730/65 FIX	Service MANOSKOP torque wrench w.mount for insert tools No. 730 Fix Measuring r. 130-650N·m Tool holders 14 x 18 mm L. 890mm	4018754269655
96503465	730NII/65 FIX	Service MANOSKOP torque wrench w.mount for insert tools No. 730 Fix	4018754269778

		Measuring r. 130-650N·m Tool holders 22 x 28 mm L. 911mm	
96503080	730/80 FIX	Service MANOSKOP torque wrench w.mount for insert tools No. 730 Fix Measuring r. 160-800N·m Tool holders 22 x 28 mm L. 1178mm	4018754269662
96503100	730/100 FIX	Service MANOSKOP torque wrench w.mount for insert tools No. 730 Fix Measuring r. 200-1000N·m Tool holders 22 x 28 mm L. 1363mm	4018754269679
96583005	730A/5 FIX	Service MANOSKOP torque wrench w.mount for insert tools No. 730 Fix Measuring r. 90-450in lb Tool holders 9 x 12 mm L. 330mm	4018754269785
96583010	730A/10 FIX	Service MANOSKOP torque wrench w.mount for insert tools No. 730 Fix Measuring r. 180-900in lb Tool holders 9 x 12 mm L. 386mm	4018754269792
96583020	730A/20 FIX	Service MANOSKOP torque wrench w.mount for insert tools No. 730 Fix Measuring r. 350-1800in lb Tool holders 14 x 18 mm L. 467mm	4018754269808
96583040	730A/40 FIX	Service MANOSKOP torque wrench w.mount for insert tools No. 730 Fix Measuring r. 800-3600in lb Tool holders 14 x 18 mm L. 607mm	4018754269815

## GTIN-Code.



### STAHLWILLE Eduard Wille GmbH & Co. KG

Lindenallee 27 · 42349 Wuppertal · Germany · Phone: +49 202 4791-0 · Fax: +49 202 4791-200  
 info@stahlwille.de · www.stahlwille.com · Copyright by STAHLWILLE Eduard Wille GmbH & Co. KG, Wuppertal  
 Copyright by STAHLWILLE Eduard Wille GmbH & Co. KG, Wuppertal