



## Pulling device

11501

Art.No. 71050104

GTIN 4018754342297

Model 11501/4 Abziehvorrichtung zu  
Trennvorr.

### Label.

Pull-off device

### Features.

- galvanised
- fits No. 11500 of the same size
- for pulling off ball bearings, roller bearings, bushings, wheels and other tight-fitting parts
- the puller connects to the No. 11500 separator and the workpiece can be pulled off

## Advantages.

high stability when pulling off, as separator and puller are firmly screwed together.

The fixed bolting of the separator to the puller provides high stability.

Makes reliable and fast extraction of tight fitting ball bearings, bushings, oil seals etc. possible.

Strong spindle with fine thread for outstanding precision and load capacity.

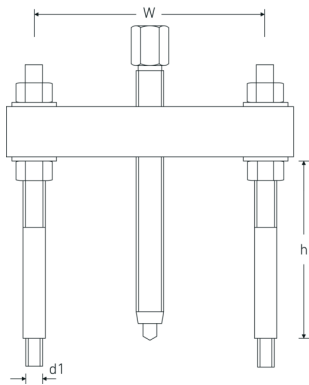
## Product highlights.



### For improved safety.

Designed with practical applications in mind, drop forged, precision machined on the latest machine tools, hardened and tempered: the STAHLWILLE puller range offers numerous products for a wide variety of applications. For example, standard pullers, cell terminal pullers, ejectors, counter stays, ball joint pullers and wheel hub pullers. Made, of course, in Germany as premium quality tools.

## Technical Drawing.



## Technical Attributes.

External hex drive (mm)	27 mm
Connection thread	M18 x 1,5
for no.	11500/4
Size	4
Clamping range mm (w)	90-300 mm
Clamping depth (h) mm	205 mm
Spindle thread size	G3/4 x 280

## Logistics data.

Depth mm (IFS)	440
Width mm (IFS)	195
Height mm (IFS)	60
Length (packed, mm)	440
Width (packed, mm)	195
Height (packed, mm)	60
Volume (packed, dm3)	5.148 dm3
Art. no.	71050104
Weight (gross, kg)	7,000
Weight PAP (kg)	0,008
Weight PVC (kg)	0,000
GTIN	4018754342297
Country of origin	GERMANY
Region of origin	Nordrhein-Westfalen
WEEE/ElektroG	nicht ear-pflichtig
Customs tariff no.	82055980
Packing standard	1
Weight	6500 g

## Variants.

Art. no.	Art. no. (ERP)	Description	GTIN
71050101	11501/1 Abziehvorrichtung zu Trennvorr.	Pull-off device	4018754342266

71050102	11501/2 Abziehvorrichtung zu Trennvorr.	Pull-off device	4018754342273
71050103	11501/3 Abziehvorrichtung zu Trennvorr.	Pull-off device	4018754342280
71050104	11501/4 Abziehvorrichtung zu Trennvorr.	Pull-off device	4018754342297

## GTIN-Code.



## Accessories.



71050019  
Separating device

## Images.





**STAHLWILLE Eduard Wille GmbH & Co. KG**

Lindenallee 27 · 42349 Wuppertal · Germany · Phone: +49 202 4791-0 · Fax: +49 202 4791-200  
info@stahlwille.de · www.stahlwille.com · Copyright by STAHLWILLE Eduard Wille GmbH & Co. KG, Wuppertal  
Copyright by STAHLWILLE Eduard Wille GmbH & Co. KG, Wuppertal