



## Puller, two-armed

**11200**

Art.No. **71020006**  
GTIN **4018754341931**  
Model **11200/6 Abzieher, 2armig  
350x200mm**

**Label.** Puller 2armed 350x200mm

### Features.

- two-armed
- with sliding, constantly parallel extractor hooks
- for pulling off gears, ball bearings, pulleys and similar parts from a shaft or axle
- for pulling ball bearings, ball bearing outer races and sockets out of drilled holes
- can be used as an external or internal extracting device by switching the hooks
- nitrided spindle, no oiling required, maintenance-free
- adjustment scale for uniform adjustment of the extractor hooks
- sturdy design, galvanised

## Advantages.

The adjustable extractor hooks make universal use as an external or internal extractor possible.

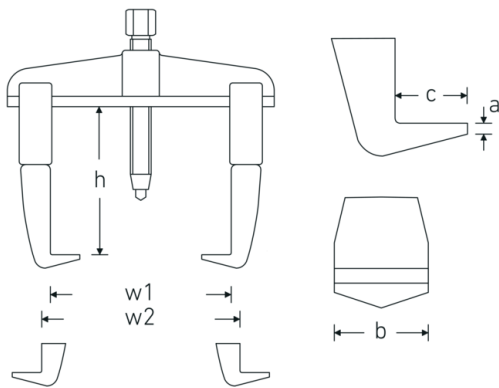
For quick and safe removal of gears, ball bearings, pulleys and for extracting the outer races of ball bearings and bushings from drilled holes.

The adjustment scale on the crosshead enables precise and even adjustment of the pullers.

The nitrided surface of the pressure spindle provides excellent sliding properties and does not require additional oiling.

The adjustment scale on the crosshead enables precise and even adjustment of the pullers.

## Technical Drawing.



## Technical Attributes.

External hex drive (mm)	27 mm
Thickness of hook base tip mm (a)	7 mm
Hook base width mm (b)	36 mm
Hook base depth mm (c)	28 mm
Size	6
Number of hooks	2
max. load	7,5 t
Clamping depth (h) mm	200 mm
Spindle thread size	G 3/4 x 280
External span max. mm (w1)	350 mm
Internal span min. mm	125 mm
Internal span max. mm (w2)	420 mm

## Logistics data.

Depth mm (IFS)	440
Width mm (IFS)	195
Height mm (IFS)	66
Length (packed, mm)	440
Width (packed, mm)	195
Height (packed, mm)	66
Volume (packed, dm <sup>3</sup> )	5.6628 dm <sup>3</sup>
Art. no.	71020006
Weight (gross, kg)	8,500
Weight PAP (kg)	0,164
Weight PVC (kg)	0,000
GTIN	4018754341931
Country of origin	GERMANY
Region of origin	Nordrhein-Westfalen
WEEE/ElektroG	nicht ear-pflichtig
Customs tariff no.	82055980
Packing standard	1
Weight	8042 g

## Variants.

Art. no.	Art. no. (ERP)	Description	GTIN
71020001	11200/1 Abzieher, 2armig 90x100mm	Puller 2armed 90x100mm	4018754341788

71020002	11200/2 Abzieher, 2armig 130x100mm	Puller 2armed 130x100mm	4018754341795
71020003	11200/3 Abzieher, 2armig 160x150mm	Puller 2armed 160x150mm	4018754341801
71020004	11200/4 Abzieher, 2armig 200x150mm	Puller 2armed 200x150mm	4018754341917
71020005	11200/5 Abzieher, 2armig 250x200mm	Puller 2armed 250x200mm	4018754341924
71020006	11200/6 Abzieher, 2armig 350x200mm	Puller 2armed 350x200mm	4018754341931

## GTIN-Code.

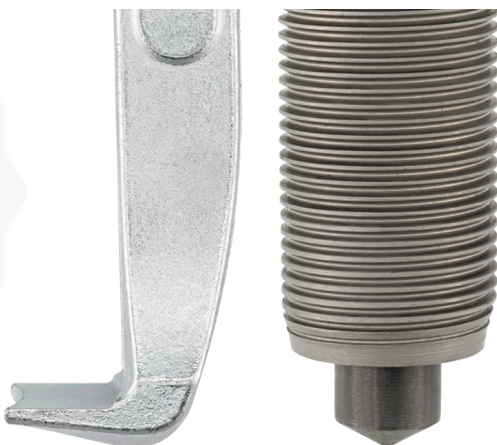


## Spare parts/spare part for.



79281003

## Images.





**STAHLWILLE Eduard Wille GmbH & Co. KG**

Lindenallee 27 · 42349 Wuppertal · Germany · Phone: +49 202 4791-0 · Fax: +49 202 4791-200  
info@stahlwille.de · www.stahlwille.com · Copyright by STAHLWILLE Eduard Wille GmbH & Co. KG, Wuppertal  
Copyright by STAHLWILLE Eduard Wille GmbH & Co. KG, Wuppertal