



## USB mains adaptor

**7763**

Art.No. **52110063**  
GTIN **4018754322978**  
Model **7763**

**Label.** USB mains adaptor 100-240V 5-5,2V

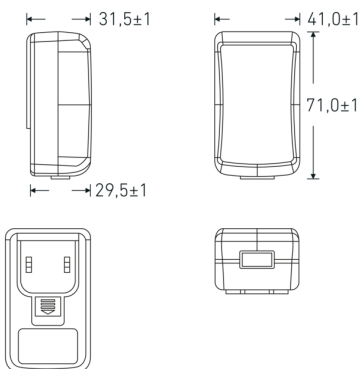
### Features.

- regulated switching power supply AC-DC power supply AC adaptor
- input voltage 100-240V~, 50-60 Hz
- maximum input current 0.3A
- maximum output power 10 watts
- output voltage 5-5.2 volts
- efficiency USA DOE Level VI / EU Ecodesign Directive (Directive 2009/125/EC), (EU) 2019/1782
- ingress protection of water for indoor use
- size 41.0 x 71.0 x 31.5 mm

## Advantages.

Regulated switching power supply AC-DC power supply AC adapter

## Technical Drawing.



## Technical Attributes.

Output voltage	5-5,2 V
Input voltage	100-240 V

## Logistics data.

Depth mm (IFS)	150
Width mm (IFS)	100
Height mm (IFS)	50
Length (packed, mm)	150
Width (packed, mm)	100
Height (packed, mm)	50
Volume (packed, dm3)	0.75 dm3
Art. no.	52110063
Weight (gross, kg)	0,108
Weight PAP (kg)	0,000
Weight PVC (kg)	0,000
GTIN	4018754322978
Country of origin	CHINA
Region of origin	Ausländischer Ursprung
WEEE/ElektroG	Kleingeräte B2C
Customs tariff no.	85044083
Packing standard	1
Weight	108 g

## Variants.

Art. no.	Art. no. (ERP)	Description	GTIN
52110063	7763	USB mains adaptor 100-240V 5-5,2V	4018754322978

## GTIN-Code.



**STAHLWILLE Eduard Wille GmbH & Co. KG**

Lindenallee 27 · 42349 Wuppertal · Germany · Phone: +49 202 4791-0 · Fax: +49 202 4791-200  
 info@stahlwille.de · www.stahlwille.com · Copyright by STAHLWILLE Eduard Wille GmbH & Co. KG, Wuppertal  
 Copyright by STAHLWILLE Eduard Wille GmbH & Co. KG, Wuppertal