



Ring insert tool

732/100

Art.No. **58221046**
GTIN **4018754238828**
Model **732/100 SW 46**



Label.

Ring insert tool Spanner size 46mm Tool holders 22 x 28

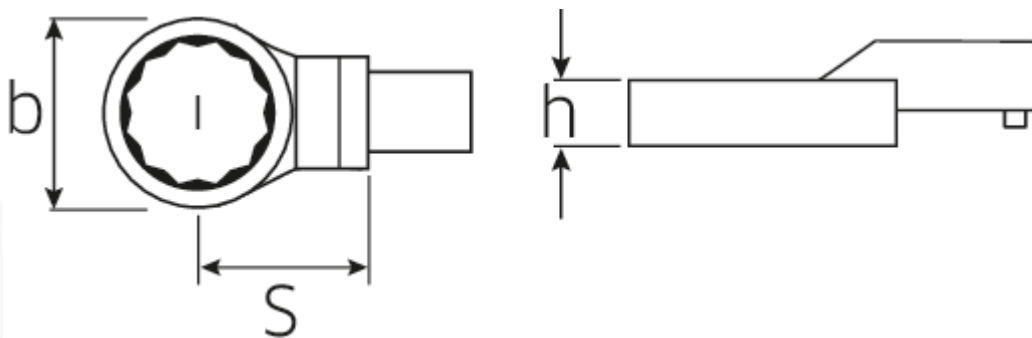
Features.

- For square drive torque wrenches
- Fixation by pin lock
- Chromium over nickel, durable and chip-proof finish
- Drop-forged, hardened and cooled in oil bath
- Extremely resilient, exceptionally durable

Advantages.

For torque wrench with square drive.

Technical Drawing.



Technical Attributes.

| | |
|--|------------|
| Width mm (b) | 66 mm |
| Size square socket [inside square drive] | 22 x 28 mm |
| Height mm (h) | 19 mm |
| S | 55 mm |
| Width across flats [mm] | 46 mm |

Logistics data.

| | |
|----------------------|---------------------|
| Depth mm (IFS) | 123 |
| Width mm (IFS) | 65 |
| Height mm (IFS) | 32 |
| Length (packed, mm) | 125 |
| Width (packed, mm) | 66 |
| Height (packed, mm) | 33 |
| Volume (packed, dm3) | 0.27225 dm3 |
| Art. no. | 58221046 |
| Weight (gross, kg) | 0,630 |
| Weight PAP (kg) | 0,000 |
| Weight PVC (kg) | 0,006 |
| GTIN | 4018754238828 |
| Country of origin | GERMANY |
| Region of origin | Nordrhein-Westfalen |
| WEEE/ElektroG | nicht ear-pflichtig |
| Customs tariff no. | 82041100 |
| Packing standard | 1 |
| Weight | 628 g |

Variants.

| Art. no. | Art. no. (ERP) | Description | GTIN |
|----------|----------------|---|---------------|
| 58221024 | 732/100 SW 24 | Ring insert tool Spanner size 24mm Tool holders22 x 28 | 4018754238750 |
| 58221027 | 732/100 SW 27 | Ring insert tool Spanner size 27mm Tool holders22 x 28 | 4018754238767 |
| 58221030 | 732/100 SW 30 | Ring insert tool Spanner size 30mm Tool holders22 x 28 | 4018754238774 |
| 58221032 | 732/100 SW 32 | Ring insert tool Spanner size 32mm Tool holders22 x 28 | 4018754238781 |
| 58221034 | 732/100 SW 34 | Ring insert tool Spanner size 34mm Tool holders22 x 28 | 4018754238798 |
| 58221036 | 732/100 SW 36 | Ring insert tool Spanner size 36mm Tool holders22 x 28 | 4018754238804 |
| 58221041 | 732/100 SW 41 | Ring insert tool Spanner size 41mm Tool holders22 x 28 | 4018754238811 |
| 58221046 | 732/100 SW 46 | Ring insert tool Spanner size 46mm Tool holders22 x 28 | 4018754238828 |

| | | | |
|----------|---------------|---|---------------|
| 58221050 | 732/100 SW 50 | Ring insert tool Spanner size 50mm Tool holders22 x 28 | 4018754238835 |
| 58221055 | 732/100 SW 55 | Ring insert tool Spanner size 55mm Tool holders22 x 28 | 4018754238842 |
| 58221060 | 732/100 SW 60 | Ring insert tool Spanner size 60mm Tool holders22 x 28 | 4018754238859 |

GTIN-Code.



STAHLWILLE Eduard Wille GmbH & Co. KG

Lindenallee 27 · 42349 Wuppertal · Germany · Phone: +49 202 4791-0 · Fax: +49 202 4791-200
info@stahlwille.de · www.stahlwille.com · Copyright by STAHLWILLE Eduard Wille GmbH & Co. KG, Wuppertal
Copyright by STAHLWILLE Eduard Wille GmbH & Co. KG, Wuppertal