

IMPACT socket

2309



Art.No. 23090017
GTIN 4018754015344
Model 2309 17

Label. IMPACT socket 1/2 " 17mm L.85mm

- Features.**
- 1/2" #a;-drive
 - for power drivers
 - extra deep
 - with reduced outside diameter
 - Chrome Alloy Steel, gunmetal finish

Advantages.

1/2" inner square drive.

Product highlights.



Resilient.

IMPACT sockets are made from high-grade chrome alloy steel. They are hardened in an oil bath to ensure they are normalised and non-warping, making them extremely accurate tools with very close tolerances.



Optimized functionality.

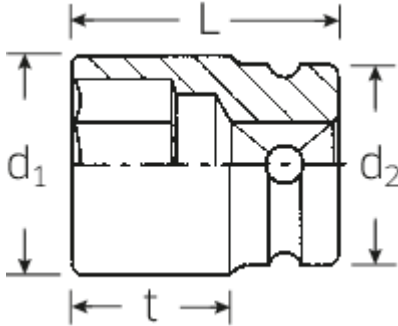
All IMPACT sockets have a straight-through central bore for the locking pin and a deep groove for the O-ring to improve grip. The locking pin is not under load during use.



High fitting accuracy.

The remarkable fitting accuracy, which is due to very tight tolerances, guarantees minimum loss of force as the impact is transferred from the impact screwdriver to the socket insert and also guarantees dramatically improved durability.

Technical Drawing.



Technical Attributes.

Drive profile	hex
Internal square drive (inch)	1/2 "
d1	25,7 mm
d2	30 mm
Length mm (L)	85 mm
Width across flats [mm]	17 mm
t	68 mm

Logistics data.

Depth mm (IFS)	85
Width mm (IFS)	30
Height mm (IFS)	30
Length (packed, mm)	125
Width (packed, mm)	75
Height (packed, mm)	60
Volume (packed, dm3)	0.5625 dm3
Art. no.	23090017
Weight (gross, kg)	1,210
Weight PAP (kg)	0,000
Weight PVC (kg)	0,007
GTIN	4018754015344
Country of origin	GERMANY
Region of origin	Nordrhein-Westfalen
WEEE/ElektroG	nicht ear-pflichtig
Customs tariff no.	82042000
Packing standard	5
Weight	242 g

Variants.

Art. no.	Art. no. (ERP)	Description	GTIN
23090017	2309 17	IMPACT socket 1/2 " 17mm L.85mm	4018754015344
23090019	2309 19	IMPACT socket 1/2 " 19mm L.85mm	4018754015351
23090221	2309 21	IMPACT socket 1/2 " 21mm L.85mm	4018754265787
23090022	2309 22	IMPACT socket 1/2 " 22mm L.85mm	4018754015368

GTIN-Code.



STAHLWILLE Eduard Wille GmbH & Co. KG

Lindenallee 27 · 42349 Wuppertal · Germany · Phone: +49 202 4791-0 · Fax: +49 202 4791-200
info@stahlwille.de · www.stahlwille.com · Copyright by STAHLWILLE Eduard Wille GmbH & Co. KG, Wuppertal
Copyright by STAHLWILLE Eduard Wille GmbH & Co. KG, Wuppertal