



TORX® insert tool

732TX/10

Art.No. **58291014**
GTIN **4018754096824**
Model **732TX/10 E 14**

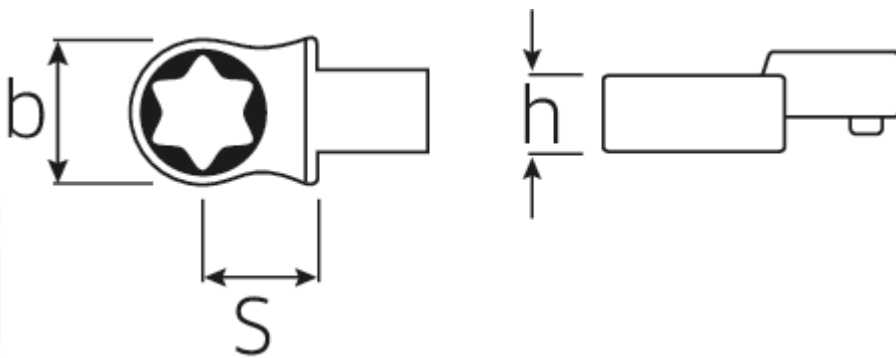
Label. TORX insert tool Tool holders 9 x 12

- Features.**
- For square drive torque wrenches
 - Fixation by pin lock
 - Chromium over nickel, durable and chip-proof finish
 - Drop-forged, hardened and cooled in oil bath
 - Extremely resilient, exceptionally durable

Advantages.

For torque wrench with square drive.

Technical Drawing.



Technical Attributes.

Drive profile	TORX®
Width mm (b)	21,5 mm
Size of output profile	E14
Size square socket [inside square drive]	9 x 12 mm
Height mm (h)	11 mm
S	17,5 mm

Logistics data.

Depth mm (IFS)	44
Width mm (IFS)	22
Height mm (IFS)	14
Length (packed, mm)	80
Width (packed, mm)	100
Height (packed, mm)	14
Volume (packed, dm3)	0.112 dm3
Art. no.	58291014
Weight (gross, kg)	0,060
Weight PAP (kg)	0,000
Weight PVC (kg)	0,002
GTIN	4018754096824
Country of origin	GERMANY
Region of origin	Nordrhein-Westfalen
WEEE/ElektroG	nicht ear-pflichtig
Customs tariff no.	82041100
Packing standard	1
Weight	60 g

Variants.

Art. no.	Art. no. (ERP)	Description	GTIN
58291006	732TX/10 E 6	TORX insert tool Tool holders9 x 12	4018754096787
58291008	732TX/10 E 8	TORX insert tool Tool holders9 x 12	4018754096794
58291010	732TX/10 E 10	TORX insert tool Tool holders9 x 12	4018754096800
58291012	732TX/10 E 12	TORX insert tool Tool holders9 x 12	4018754096817
58291014	732TX/10 E 14	TORX insert tool Tool holders9 x 12	4018754096824

GTIN-Code.





STAHLWILLE Eduard Wille GmbH & Co. KG

Lindenallee 27 · 42349 Wuppertal · Germany · Phone: +49 202 4791-0 · Fax: +49 202 4791-200
info@stahlwille.de · www.stahlwille.com · Copyright by STAHLWILLE Eduard Wille GmbH & Co. KG, Wuppertal
Copyright by STAHLWILLE Eduard Wille GmbH & Co. KG, Wuppertal