



Torque tester

Smartcheck 800 USB

Art.No. **96521210**
GTIN **4018754324880**
Model **SMARTCHECK 800 USB**



Label.

Torque tester SmartCheck USB Measuring r.80-800N·m Internal square 3/4"

Features.

- Compact design
- For horizontal or vertical mounting
- Display, display holder and base body can be rotated through 180°
- Micro USB interface for data export and power supply
- Software CheckMaster for transferring values and creating test certificates can be downloaded free of charge at www.stahlwille.de.
- Three operating modes (Track, First Peak, Peak Hold)
- For testing torque wrenches
- Three units of measurement (N·m, ft·lb, in·lb)
- Target torque and tolerances for evaluating the measured value can be individually specified
- Operation via supplied mains adapter or battery (4 x AAA or 1 x 9V block, adapter included)
- with integrated optical and acoustic overload protection
- Display and membrane keypad are splash-proof, the housing is made of impact-resistant plastic
- with certificate
- Delivered in a sturdy plastic case
- **Display deviation $\pm 1\%$**

Advantages.

Torque tester max. 1500 Nm, recording square, display, display holder and base body rotatable by 180°.

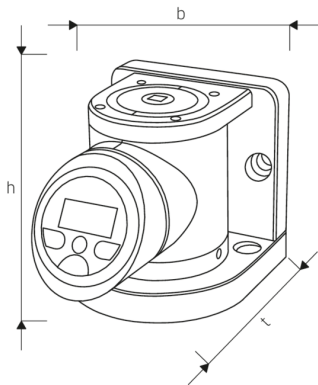
3 operating modes (Track, First Peak, Peak Hold), with +/- 1% display deviation, with certificate.

With USB interface (for power supply and data exchange), included in delivery: USB power supply and Micro USB cable.

Target torque and tolerances can be entered individually to evaluate the measured value.



Technical Drawing.



Technical Attributes.

Measuring range N·m	80-800 N·m
Internal square [inch]	3/4 "
Measuring range ft·lb	59-590 ft·lb
Measuring range in·lb	708-7081 in·lb
Number of digits	4
No.	SmartCheck USB 800

Logistics data.

Depth mm (IFS)	395
Width mm (IFS)	315
Height mm (IFS)	145
Length (packed, mm)	395
Width (packed, mm)	315
Height (packed, mm)	145
Volume (packed, dm ³)	18.041625 dm ³
Art. no.	96521210
Weight (gross, kg)	7,500
Weight PAP (kg)	0,156
Weight PVC (kg)	0,000
GTIN	4018754324880
Country of origin	GERMANY
Region of origin	Nordrhein-Westfalen
WEEE/ElektroG	Kleingeräte B2C
Customs tariff no.	90318080
Packing standard	1
Weight	5690 g

Variants.

Art. no.	Art. no. (ERP)	Description	GTIN
96521206	SMARTCHECK 10S USB	Torque screwdriver tester SmartCheck USB Measuring r.1-10N·m Internal square 1/4"	4018754324842
96521207	SMARTCHECK 10 USB	Torque tester SmartCheck USB Measuring r.1-10N·m Internal square 1/4"	4018754324859
96521208	SMARTCHECK 100 USB	Torque tester SmartCheck USB Measuring r.10-100N·m Internal square 3/8"	4018754324866
96521209	SMARTCHECK 400 USB	Torque tester SmartCheck USB Measuring r.40-400N·m Internal square 3/4"	4018754324873
96521210	SMARTCHECK 800 USB	Torque tester SmartCheck USB Measuring r.80-800N·m Internal square 3/4"	4018754324880
96521211	SMARTCHECK 1500 USB	Torque tester SmartCheck USB Measuring r.150-1500N·m Internal square 1"	4018754331352

GTIN-Code.



Images.





STAHLWILLE Eduard Wille GmbH & Co. KG

Lindenallee 27 · 42349 Wuppertal · Germany · Phone: +49 202 4791-0 · Fax: +49 202 4791-200
info@stahlwille.de · www.stahlwille.com · Copyright by STAHLWILLE Eduard Wille GmbH & Co. KG, Wuppertal
Copyright by STAHLWILLE Eduard Wille GmbH & Co. KG, Wuppertal