



## TORX® insert tool

**732TX/40**

Art.No. **58294024**  
GTIN **4018754096862**  
Model **732TX/40 E 24**

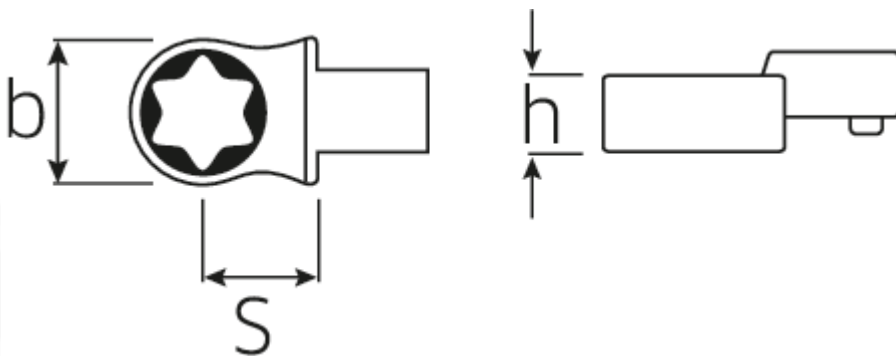
**Label.** TORX insert tool Tool holders 14 x 18

- Features.**
- For square drive torque wrenches
  - Fixation by pin lock
  - Chromium over nickel, durable and chip-proof finish
  - Drop-forged, hardened and cooled in oil bath
  - Extremely resilient, exceptionally durable

## Advantages.

For torque wrench with square drive.

## Technical Drawing.



## Technical Attributes.

Drive profile	TORX®
Width mm (b)	30,5 mm
Size of output profile	E24
Size square socket [inside square drive]	14 x 18 mm
Height mm (h)	13 mm
S	25 mm

## Logistics data.

Depth mm (IFS)	67
Width mm (IFS)	32
Height mm (IFS)	22
Length (packed, mm)	80
Width (packed, mm)	100
Height (packed, mm)	22
Volume (packed, dm <sup>3</sup> )	0.176 dm <sup>3</sup>
Art. no.	58294024
Weight (gross, kg)	0,150
Weight PAP (kg)	0,000
Weight PVC (kg)	0,002
GTIN	4018754096862
Country of origin	GERMANY
Region of origin	Nordrhein-Westfalen
WEEE/ElektroG	nicht ear-pflichtig
Customs tariff no.	82041100
Packing standard	1
Weight	150 g

## Variants.

Art. no.	Art. no. (ERP)	Description	GTIN
58294014	732TX/40 E 14	TORX insert tool Tool holders14 x 18	4018754096831
58294018	732TX/40 E 18	TORX insert tool Tool holders14 x 18	4018754096848
58294020	732TX/40 E 20	TORX insert tool Tool holders14 x 18	4018754096855
58294024	732TX/40 E 24	TORX insert tool Tool holders14 x 18	4018754096862

## GTIN-Code.





**STAHLWILLE Eduard Wille GmbH & Co. KG**

Lindenallee 27 · 42349 Wuppertal · Germany · Phone: +49 202 4791-0 · Fax: +49 202 4791-200  
info@stahlwille.de · www.stahlwille.com · Copyright by STAHLWILLE Eduard Wille GmbH & Co. KG, Wuppertal  
Copyright by STAHLWILLE Eduard Wille GmbH & Co. KG, Wuppertal