



## Puller, two-armed

**11200**

Art.No. **71020004**  
GTIN **4018754341917**  
Model **11200/4 Abzieher, 2armig  
200x150mm**

**Label.** Puller 2armed 200x150mm

### Features.

- two-armed
- with sliding, constantly parallel extractor hooks
- for pulling off gears, ball bearings, pulleys and similar parts from a shaft or axle
- for pulling ball bearings, ball bearing outer races and sockets out of drilled holes
- can be used as an external or internal extracting device by switching the hooks
- nitrided spindle, no oiling required, maintenance-free
- adjustment scale for uniform adjustment of the extractor hooks
- sturdy design, galvanised

## Advantages.

The adjustable extractor hooks make universal use as an external or internal extractor possible.

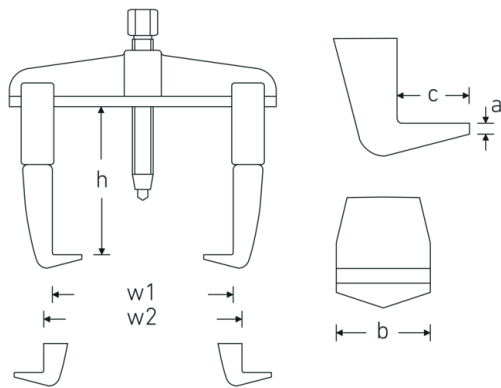
The adjustment scale on the crosshead enables precise and even adjustment of the pullers.

The adjustment scale on the crosshead enables precise and even adjustment of the pullers.

For quick and safe removal of gears, ball bearings, pulleys and for extracting the outer races of ball bearings and bushings from drilled holes.

The nitrided surface of the pressure spindle provides excellent sliding properties and does not require additional oiling.

## Technical Drawing.



## Technical Attributes.

|                                   |             |
|-----------------------------------|-------------|
| External hex drive (mm)           | 22 mm       |
| Thickness of hook base tip mm (a) | 4 mm        |
| Hook base width mm (b)            | 30 mm       |
| Hook base depth mm (c)            | 18 mm       |
| Size                              | 4           |
| Number of hooks                   | 2           |
| max. load                         | 5 t         |
| Clamping depth (h) mm             | 150 mm      |
| Spindle thread size               | G 1/2 x 210 |
| External span max. mm (w1)        | 200 mm      |
| Internal span min. mm             | 90 mm       |
| Internal span max. mm (w2)        | 260 mm      |

## Logistics data.

|                                   |                      |
|-----------------------------------|----------------------|
| Depth mm (IFS)                    | 290                  |
| Width mm (IFS)                    | 240                  |
| Height mm (IFS)                   | 50                   |
| Length (packed, mm)               | 290                  |
| Width (packed, mm)                | 240                  |
| Height (packed, mm)               | 50                   |
| Volume (packed, dm <sup>3</sup> ) | 3.48 dm <sup>3</sup> |
| Art. no.                          | 71020004             |
| Weight (gross, kg)                | 3,462                |
| Weight PAP (kg)                   | 0,152                |
| Weight PVC (kg)                   | 0,000                |
| GTIN                              | 4018754341917        |
| Country of origin                 | GERMANY              |
| Region of origin                  | Nordrhein-Westfalen  |
| WEEE/ElektroG                     | nicht ear-pflichtig  |
| Customs tariff no.                | 82055980             |
| Packing standard                  | 1                    |
| Weight                            | 3322 g               |

## Variants.

| Art. no. | Art. no. (ERP)                          | Description            | GTIN          |
|----------|---|------------------------|---------------|
| 71020001 | 11200/1<br>Abzieher, 2armig<br>90x100mm | Puller 2armed 90x100mm | 4018754341788 |

|          |  |                         |               |
|----------|--|-------------------------|---------------|
| 71020002 | 11200/2<br>Abzieher, 2armig<br>130x100mm | Puller 2armed 130x100mm | 4018754341795 |
| 71020003 | 11200/3<br>Abzieher, 2armig<br>160x150mm | Puller 2armed 160x150mm | 4018754341801 |
| 71020004 | 11200/4<br>Abzieher, 2armig<br>200x150mm | Puller 2armed 200x150mm | 4018754341917 |
| 71020005 | 11200/5<br>Abzieher, 2armig<br>250x200mm | Puller 2armed 250x200mm | 4018754341924 |
| 71020006 | 11200/6<br>Abzieher, 2armig<br>350x200mm | Puller 2armed 350x200mm | 4018754341931 |

## GTIN-Code.



## Spare parts/spare part for.



79281002

## Images.





**STAHLWILLE Eduard Wille GmbH & Co. KG**

Lindenallee 27 · 42349 Wuppertal · Germany · Phone: +49 202 4791-0 · Fax: +49 202 4791-200  
info@stahlwille.de · www.stahlwille.com · Copyright by STAHLWILLE Eduard Wille GmbH & Co. KG, Wuppertal  
Copyright by STAHLWILLE Eduard Wille GmbH & Co. KG, Wuppertal