



TORX® insert tool

732TX/10

Art.No. **58291012**
GTIN **4018754096817**
Model **732TX/10 E 12**

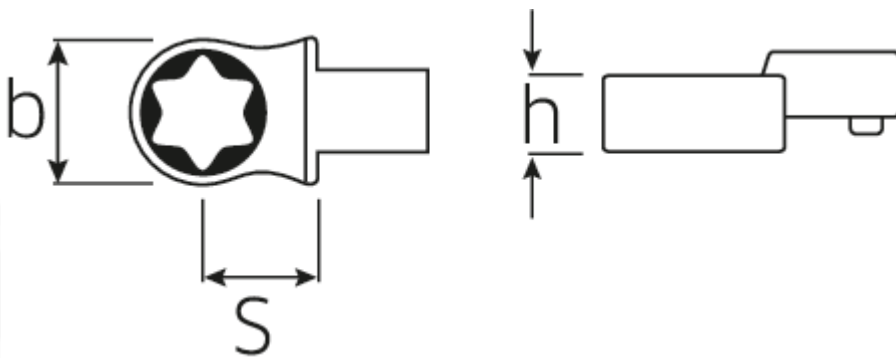
Label. TORX insert tool Tool holders 9 x 12

- Features.**
- For square drive torque wrenches
 - Fixation by pin lock
 - Chromium over nickel, durable and chip-proof finish
 - Drop-forged, hardened and cooled in oil bath
 - Extremely resilient, exceptionally durable

Advantages.

For torque wrench with square drive.

Technical Drawing.



Technical Attributes.

Drive profile	TORX®
Width mm (b)	18,5 mm
Size of output profile	E12
Size square socket [inside square drive]	9 x 12 mm
Height mm (h)	9 mm
S	17,5 mm

Logistics data.

Depth mm (IFS)	43
Width mm (IFS)	22
Height mm (IFS)	15
Length (packed, mm)	80
Width (packed, mm)	100
Height (packed, mm)	15
Volume (packed, dm ³)	0.12 dm ³
Art. no.	58291012
Weight (gross, kg)	0,050
Weight PAP (kg)	0,000
Weight PVC (kg)	0,002
GTIN	4018754096817
Country of origin	GERMANY
Region of origin	Nordrhein-Westfalen
WEEE/ElektroG	nicht ear-pflichtig
Customs tariff no.	82041100
Packing standard	1
Weight	50 g

Variants.

Art. no.	Art. no. (ERP)	Description	GTIN
58291006	732TX/10 E 6	TORX insert tool Tool holders9 x 12	4018754096787
58291008	732TX/10 E 8	TORX insert tool Tool holders9 x 12	4018754096794
58291010	732TX/10 E 10	TORX insert tool Tool holders9 x 12	4018754096800
58291012	732TX/10 E 12	TORX insert tool Tool holders9 x 12	4018754096817
58291014	732TX/10 E 14	TORX insert tool Tool holders9 x 12	4018754096824

GTIN-Code.





STAHLWILLE Eduard Wille GmbH & Co. KG

Lindenallee 27 · 42349 Wuppertal · Germany · Phone: +49 202 4791-0 · Fax: +49 202 4791-200
info@stahlwille.de · www.stahlwille.com · Copyright by STAHLWILLE Eduard Wille GmbH & Co. KG, Wuppertal
Copyright by STAHLWILLE Eduard Wille GmbH & Co. KG, Wuppertal