



Universal puller, three-armed

11300

Art.No. **71030001**
GTIN **4018754341962**
Model **11300/1 Abzieher, 3armig
90x100mm**

Label. Universal puller 3armed 90x100mm

Features.

- three-armed
- reversible hooks for use as external and internal pullers
- for removing gears, ball bearings, pulleys and similar parts from a shaft or axle
- for removing ball bearings, ball bearing outer rings and bushes from bores
- nitrided spindle, no oiling necessary, maintenance-free
- sturdy design, galvanized

Advantages.

For quick and reliable removal of gears, ball bearings, fan belts and for extracting the outer rings of ball bearings and bushings from drilled holes.

The adjustable extractor hooks make for universal use as both an external or internal extractor possible.

Even load distribution over 3 extractor hooks provides a secure hold and centred extraction.

The nitrided surface of the pressure spindle provides excellent sliding properties and requires no additional oiling.

Product highlights.



For improved safety.

Designed with practical applications in mind, drop forged, precision machined on the latest machine tools, hardened and tempered: the STAHLWILLE puller range offers numerous products for a wide variety of applications. For example, standard pullers, cell terminal pullers, ejectors, counter stays, ball joint pullers and wheel hub pullers. Made, of course, in Germany as premium quality tools.



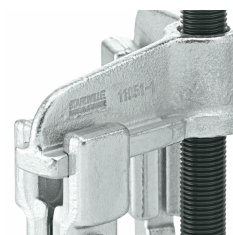
2vs3 - Two- or three-legged pullers?

A three-legged puller is generally preferable to a two-legged one provided there is sufficient space because it distributes the pulling forces more evenly.



Reliable.

Excellent running characteristics of the thread itself thanks to high-grade hardening and tempering and the special coatings on the thrust spindles.



More robust.

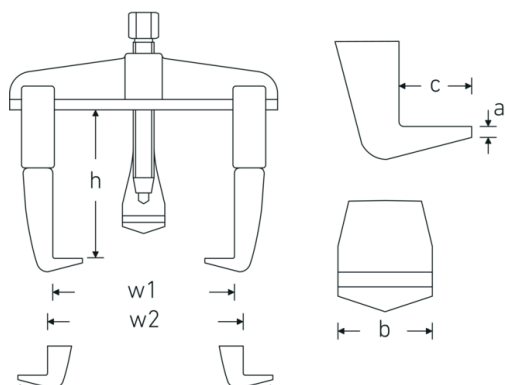
High flexural strength thanks to legs with accurately calculated profiles and smooth, milled guides.



Safe.

To prevent damage to shafts, the centre is fitted in a freely-swivelling mount.

Technical Drawing.



Technical Attributes.

External hex drive (mm)	17 mm
Thickness of hook base tip mm (a)	3 mm
Hook base width mm (b)	22 mm
Hook base depth mm (c)	12 mm
Size	1

Logistics data.

Depth mm (IFS)	200
Width mm (IFS)	155
Height mm (IFS)	60
Length (packed, mm)	200
Width (packed, mm)	155
Height (packed, mm)	60

Number of hooks	3	Volume (packed, dm3)	1.86 dm3
max. load	3 t	Art. no.	71030001
Clamping depth (h) mm	100 mm	Weight (gross, kg)	1,516
Spindle thread size	M14 x 1,5 x 140	Weight PAP (kg)	0,126
External span max. mm (w1)	90 mm	Weight PVC (kg)	0,000
Internal span min. mm	70 mm	GTIN	4018754341962
Internal span max. mm (w2)	140 mm	Country of origin	GERMANY
		Region of origin	Nordrhein-Westfalen
		WEEE/ElektroG	nicht ear-pflichtig
		Customs tariff no.	82055980
		Packing standard	1
		Weight	1400 g

Variants.

Art. no.	Art. no. (ERP)	Description	GTIN
71030001	11300/1 Abzieher, 3armig 90x100mm	Universal puller 3armed 90x100mm	4018754341962
71030002	11300/2 Abzieher, 3armig 130x100mm	Universal puller 3armed 130x100mm	4018754341979
71030003	11300/3 Abzieher, 3armig 160x150mm	Universal puller 3armed 160x150mm	4018754341986
71030004	11300/4 Abzieher, 3armig 200x150mm	Universal puller 3armed 200x150mm	4018754341993
71030005	11300/5 Abzieher, 3armig 250x200mm	Universal puller 3armed 250x200mm	4018754342006

GTIN-Code.



Spare parts/spare part for.



79281001

Images.



STAHLWILLE Eduard Wille GmbH & Co. KG

Lindenallee 27 · 42349 Wuppertal · Germany · Phone: +49 202 4791-0 · Fax: +49 202 4791-200
info@stahlwille.de · www.stahlwille.com · Copyright by STAHLWILLE Eduard Wille GmbH & Co. KG, Wuppertal
Copyright by STAHLWILLE Eduard Wille GmbH & Co. KG, Wuppertal