

## Service MANOSKOP® torque wrench

730N/5



Art.No. 50181005  
GTIN 4018754139514  
Model 730N/5



**Label.** Torque wrench service MANOSKOP® No. 730N/5 Measuring r. 10-50N·m Tool holders 9 x 12 mm L. 330mm

- Features.**
- mount for interchangeable insert tools
  - QuickRelease safety lock
  - can be applied for either clockwise or anticlockwise tightening by turning the inserts over
  - **display deviation value ± 3% (size 2; a/2 4 %)**

## Advantages.

Mount for interchangeable inserts/sockets.

## Product highlights.



### Flexible rod principle.

Mechanical torque wrenches from STAHLWILLE have a wear-resistant trigger system with a flexible rod. In contrast to conventional torque wrenches with spiral springs, the STAHLWILLE system eliminates one key work step: once the fastener has been tightened, it is not necessary to reset the wrench to »0«.



### Simple.

Quick adjustment from outside, no disassembly of the torque wrench required, with two adjustment points for the maximum & minimum values.

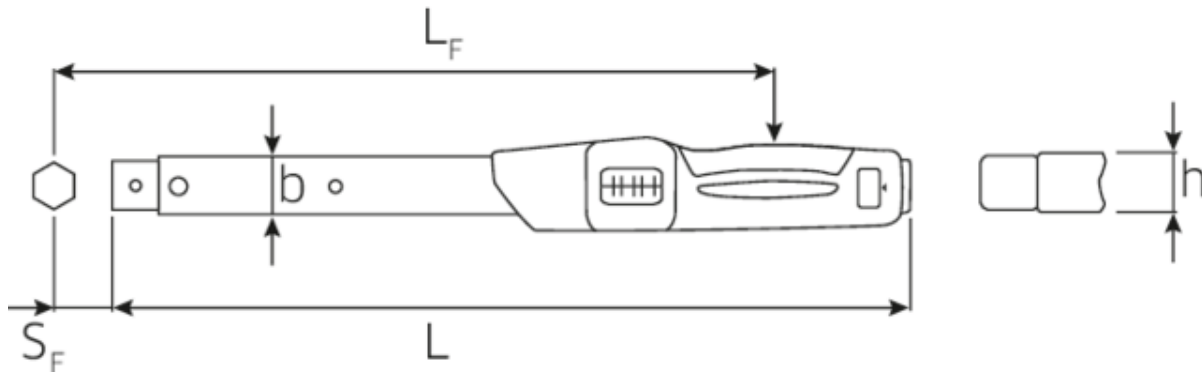


### Clicking.

When the target torque is reached, MANOSKOP® 730N provides a noticeable tactile dual stop signal.

**Clear view.**

Easy-to-read dual scale with colour differentiation between the N·m and ft.lb scales to simplify fine setting.

**Technical Drawing.****Technical Attributes.**

Measuring range N·m	10-50 N·m
Measuring range ft·lb	7-37 ft·lb
Width mm (b)	28 mm
Fine scale division	0,25 N·m
Size	5
Size square socket [inside square drive]	9 x 12 mm
Height mm (h)	23 mm
Length mm (L)	330 mm
LF	280,5 mm
MA N·m	10 N·m
Nominal value N·m	50 N·m
SF	17,5 mm
Scale division [E1]	5 N·m
Scale division [E2]	1 ft·lb

**Logistics data.**

Depth mm (IFS)	459
Width mm (IFS)	52
Height mm (IFS)	52
Length (packed, mm)	459
Width (packed, mm)	52
Height (packed, mm)	52
Volume (packed, dm <sup>3</sup> )	1.241136 dm <sup>3</sup>
Art. no.	50181005
Weight (gross, kg)	0,900
Weight PAP (kg)	0,000
Weight PVC (kg)	0,066
GTIN	4018754139514
Country of origin	GERMANY
Region of origin	Nordrhein-Westfalen
WEEE/ElektroG	nicht ear-pflichtig
Customs tariff no.	82041100
Packing standard	1
Weight	831 g

## Variants.

Art. no.	Art. no. (ERP)	Description	GTIN
50181100	730N/100	Torque wrench service MANOSKOP® No. 730N/100 Measuring r. 200-1000N·m Tool holders 22 x 28 mm L. 1363mm	4018754239955
50181080	730N/80	Torque wrench service MANOSKOP® No. 730N/80 Measuring r. 160-800N·m Tool holders 22 x 28 mm L. 1178mm	4018754239948
50181365	730NII/65	Torque wrench service MANOSKOP® No. 730NII/65 Measuring r. 130-650N·m Tool holders 22 x 28 mm L. 911mm	4018754239986
50181065	730N/65	Torque wrench service MANOSKOP® No. 730N/65 Measuring r. 130-650N·m Tool holders 14 x 18 mm L. 890mm	4018754163991
50181040	730N/40	Torque wrench service MANOSKOP® No. 730N/40 Measuring r. 80-400N·m Tool holders 14 x 18 mm L. 607mm	4018754139552
50181020	730N/20	Torque wrench service MANOSKOP® No. 730N/20 Measuring r. 40-200N·m Tool holders 14 x 18 mm L. 467mm	4018754139545
50181012	730N/12	Torque wrench service MANOSKOP® No. 730N/12 Measuring r. 25-130N·m Tool holders 14 x 18 mm L. 421mm	4018754139538
50181010	730N/10	Torque wrench service MANOSKOP® No. 730N/10 Measuring r. 20-100N·m Tool holders 9 x 12 mm L. 386mm	4018754139521
50181005	730N/5	Torque wrench service MANOSKOP® No. 730N/5 Measuring r. 10-50N·m Tool holders 9 x 12 mm L. 330mm	4018754139514

## GTIN-Code.





**STAHLWILLE Eduard Wille GmbH & Co. KG**

Lindenallee 27 · 42349 Wuppertal · Germany · Phone: +49 202 4791-0 · Fax: +49 202 4791-200  
info@stahlwille.de · www.stahlwille.com · Copyright by STAHLWILLE Eduard Wille GmbH & Co. KG, Wuppertal  
Copyright by STAHLWILLE Eduard Wille GmbH & Co. KG, Wuppertal