



Puller, two-armed

11200

Art.No. **71020001**
GTIN **4018754341788**
Model **11200/1 Abzieher, 2armig
90x100mm**

Label. Puller 2armed 90x100mm

- Features.**
- two-armed
 - with sliding, constantly parallel extractor hooks
 - for pulling off gears, ball bearings, pulleys and similar parts from a shaft or axle
 - for pulling ball bearings, ball bearing outer races and sockets out of drilled holes
 - can be used as an external or internal extracting device by switching the hooks
 - nitrided spindle, no oiling required, maintenance-free
 - adjustment scale for uniform adjustment of the extractor hooks
 - sturdy design, galvanised

Advantages.

The adjustable extractor hooks make universal use as an external or internal extractor possible.

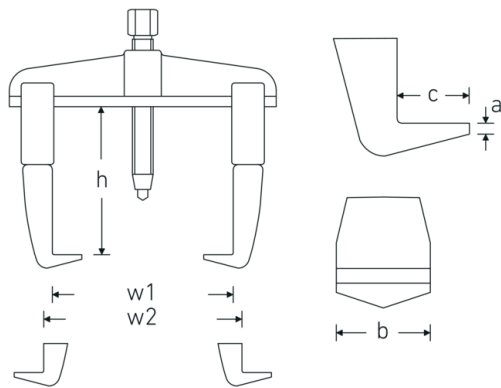
The adjustment scale on the crosshead enables precise and even adjustment of the pullers.

The adjustment scale on the crosshead enables precise and even adjustment of the pullers.

For quick and safe removal of gears, ball bearings, pulleys and for extracting the outer races of ball bearings and bushings from drilled holes.

The nitrided surface of the pressure spindle provides excellent sliding properties and does not require additional oiling.

Technical Drawing.



Technical Attributes.

External hex drive (mm)	17 mm
Thickness of hook base tip mm (a)	3 mm
Hook base width mm (b)	22 mm
Hook base depth mm (c)	12 mm
Size	1
Number of hooks	2
max. load	3 t
Clamping depth (h) mm	100 mm
Spindle thread size	M14 x 1,5 x 140
External span max. mm (w1)	90 mm
Internal span min. mm	60 mm
Internal span max. mm (w2)	140 mm

Logistics data.

Depth mm (IFS)	170
Width mm (IFS)	140
Height mm (IFS)	36
Length (packed, mm)	195
Width (packed, mm)	155
Height (packed, mm)	60
Volume (packed, dm ³)	1.8135 dm ³
Art. no.	71020001
Weight (gross, kg)	1,136
Weight PAP (kg)	0,122
Weight PVC (kg)	0,000
GTIN	4018754341788
Country of origin	GERMANY
Region of origin	Nordrhein-Westfalen
WEEE/ElektroG	nicht ear-pflichtig
Customs tariff no.	82055980
Packing standard	1
Weight	1014 g

Variants.

Art. no.	Art. no. (ERP)	Description	GTIN
71020001	11200/1 Abzieher, 2armig 90x100mm	Puller 2armed 90x100mm	4018754341788

71020002	11200/2 Abzieher, 2armig 130x100mm	Puller 2armed 130x100mm	4018754341795
71020003	11200/3 Abzieher, 2armig 160x150mm	Puller 2armed 160x150mm	4018754341801
71020004	11200/4 Abzieher, 2armig 200x150mm	Puller 2armed 200x150mm	4018754341917
71020005	11200/5 Abzieher, 2armig 250x200mm	Puller 2armed 250x200mm	4018754341924
71020006	11200/6 Abzieher, 2armig 350x200mm	Puller 2armed 350x200mm	4018754341931

GTIN-Code.



Spare parts/spare part for.



79281001

Images.





STAHLWILLE Eduard Wille GmbH & Co. KG

Lindenallee 27 · 42349 Wuppertal · Germany · Phone: +49 202 4791-0 · Fax: +49 202 4791-200
info@stahlwille.de · www.stahlwille.com · Copyright by STAHLWILLE Eduard Wille GmbH & Co. KG, Wuppertal
Copyright by STAHLWILLE Eduard Wille GmbH & Co. KG, Wuppertal