



## Torque tester

### Smartcheck 100 USB

Art.No. 96521208  
GTIN 4018754324866  
Model SMARTCHECK 100 USB



#### Label.

Torque tester SmartCheck USB Measuring r.10-100N·m Internal square 3/8"

#### Features.

- Compact design
- For horizontal or vertical mounting
- Display, display holder and base body can be rotated through 180°
- Micro USB interface for data export and power supply
- Software CheckMaster for transferring values and creating test certificates can be downloaded free of charge at [www.stahlwille.de](http://www.stahlwille.de).
- Three operating modes (Track, First Peak, Peak Hold)
- For testing torque wrenches
- Three units of measurement (N·m, ft·lb, in·lb)
- Target torque and tolerances for evaluating the measured value can be individually specified
- Operation via supplied mains adapter or battery (4 x AAA or 1 x 9V block, adapter included)
- with integrated optical and acoustic overload protection
- Display and membrane keypad are splash-proof, the housing is made of impact-resistant plastic
- with certificate
- Delivered in a sturdy plastic case
- **Display deviation  $\pm 1\%$**

#### Advantages.

Torque tester max. 1500 Nm, recording square, display, display holder and base body rotatable by 180°.

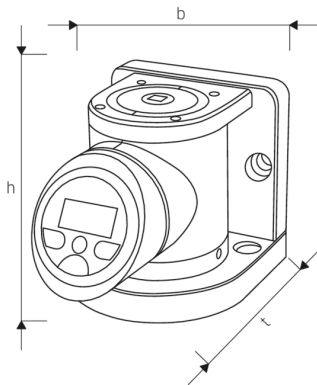
3 operating modes (Track, First Peak, Peak Hold), with +/- 1% display deviation, with certificate.

With USB interface (for power supply and data exchange), included in delivery: USB power supply and Micro USB cable.

Target torque and tolerances can be entered individually to evaluate the measured value.



## Technical Drawing.



## Technical Attributes.

Measuring range N·m	10-100 N·m
Internal square [inch]	3/8 "
Measuring range ft·lb	7-74 ft·lb
Measuring range in·lb	89-885 in·lb
Number of digits	4
No.	SmartCheck USB 100

## Logistics data.

Depth mm (IFS)	395
Width mm (IFS)	315
Height mm (IFS)	145
Length (packed, mm)	395
Width (packed, mm)	315
Height (packed, mm)	145
Volume (packed, dm <sup>3</sup> )	18.041625 dm <sup>3</sup>
Art. no.	96521208
Weight (gross, kg)	7,210
Weight PAP (kg)	0,156
Weight PVC (kg)	0,000
GTIN	4018754324866
Country of origin	GERMANY
Region of origin	Nordrhein-Westfalen
WEEE/ElektroG	Kleingeräte B2C
Customs tariff no.	90318080
Packing standard	1
Weight	5310 g

## Variants.

Art. no.	Art. no. (ERP)	Description	GTIN
96521206	SMARTCHECK 10S USB	Torque screwdriver tester SmartCheck USB Measuring r.1-10N·m Internal square 1/4"	4018754324842
96521207	SMARTCHECK 10 USB	Torque tester SmartCheck USB Measuring r.1-10N·m Internal square 1/4"	4018754324859
96521208	SMARTCHECK 100 USB	Torque tester SmartCheck USB Measuring r.10-100N·m Internal square 3/8"	4018754324866
96521209	SMARTCHECK 400 USB	Torque tester SmartCheck USB Measuring r.40-400N·m Internal square 3/4"	4018754324873
96521210	SMARTCHECK 800 USB	Torque tester SmartCheck USB Measuring r.80-800N·m Internal square 3/4"	4018754324880
96521211	SMARTCHECK 1500 USB	Torque tester SmartCheck USB Measuring r.150-1500N·m Internal square 1"	4018754331352

## GTIN-Code.



## Images.





**STAHLWILLE Eduard Wille GmbH & Co. KG**

Lindenallee 27 · 42349 Wuppertal · Germany · Phone: +49 202 4791-0 · Fax: +49 202 4791-200  
info@stahlwille.de · www.stahlwille.com · Copyright by STAHLWILLE Eduard Wille GmbH & Co. KG, Wuppertal  
Copyright by STAHLWILLE Eduard Wille GmbH & Co. KG, Wuppertal