

**Electronic torque wrench
w. permanently installed fine-tooth
ratchet**

701/2



Art.No. **96504502**
GTIN **4018754243693**
Model **701/2**



Label.

Electronic torque wrench SENSOTORK® No. 701/2 Measuring r. 1-20N·m Drive 1/4 L. 210mm

Features.

- indicating
- slim, compact shape for smaller torques from 1 N·m upwards
- measuring units: N·m, cN·m, ft·lb, in·lb
- measurements independent of the point of application of force
- additional functions using SensoMaster 4 software (not included, free download at www.stahlwille.com):
 - adjustable joints
 - evaluation of tightening operation by means of coloured LEDs, buzzer and vibration
 - alibrating interval adjustable
 - logging function
- supplied with 3.6 V lithium battery, type 14500, packed in accordance with UN3091, Class 9
- calibration in conjunction with perfectControl® calibrating unit No 7794 or complete calibration system No 7706. Readjustment does not require disassembly
- certificate in accordance with DIN EN ISO 6789-2:2017
- in sturdy plastic box
- **display deviation value ± 4%**

Advantages.

Electronic torque wrench for a small measuring range of 1 – 20 Nm.

The compact design with built-in fine-tooth ratchet makes precise screw tightening possible, even in confined spaces.

Simple documentation of the measured values on the PC via the USB interface.



Product highlights.



Compact.

With a compact length of only 21 cm, it is ideally suited to safe, accurate work in confined spaces.



Versatile.

For torques from 1 to 20 N·m – the ideal choice for bolt tightening on modern materials such as plastic, carbon and aluminium, for state-of-the-art bicycles with carbon frames, for example.



Intuitiv.

The required mode of operation (track, peak hold, user (fastener evaluation)) can be quickly and easily set using the single-button setting system.



Accurat.

Accuracy counts – uncertainty is reduced to a minimum to guarantee accurate readings.

Logging function.

Comprehensive documentation options. As many as 2000 tightening actions can be stored with timestamps.



Technologies and features.



QuickRelease

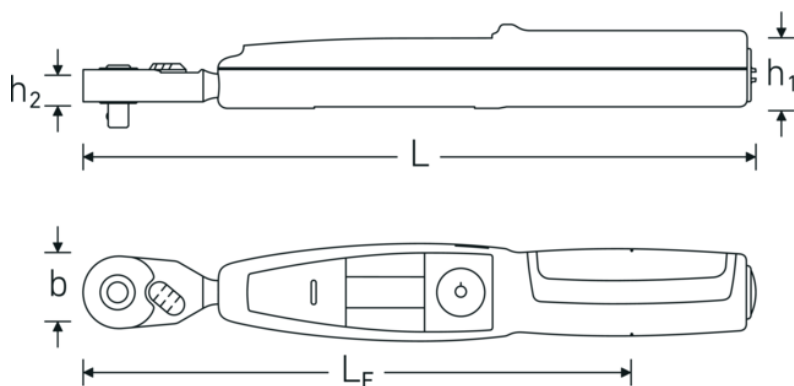
The QuickRelease technology ensures tools cannot be inadvertently lost – while enabling rapid, safe tool changes.



Fine tooth ratchet mechanisms.

STAHLWILLE fine tooth ratchets have a specially developed, perfectly balanced mechanism with 80 teeth, ensuring maximum load capacity and, at the same time, excellent durability. With STAHLWILLE fine-tooth ratchets, no less than eight teeth engage at once, which provides smooth working action. The tight ratchet angle of only 4.5° enables efficient working in confined spaces.

Technical Drawing.



Technical Attributes.

Measuring range N·m	1-20 N·m
Measuring range cN·m	100-2000 cN·m
External square drive (inch)	1/4
Width mm (b)	22,6 mm
Weight with box	710 g
Height mm (h1)	26 mm
Height mm (h2)	10 mm
Length mm (L)	210 mm
LF	160 mm
MA N·m	1 N·m
Nominal value N·m	20 N·m
Scale division [E1]	0,7-15 ft·lb
Scale division [E2]	9-180 in·lb

Logistics data.

Depth mm (IFS)	325
Width mm (IFS)	135
Height mm (IFS)	60
Length (packed, mm)	325
Width (packed, mm)	135
Height (packed, mm)	60
Volume (packed, dm ³)	2.6325 dm ³
Art. no.	96504502
Weight (gross, kg)	0,725
Weight PAP (kg)	0,080
Weight PVC (kg)	0,000
GTIN	4018754243693
Country of origin	GERMANY
Region of origin	Nordrhein-Westfalen
WEEE/ElektroG	Kleingeräte B2C
Customs tariff no.	82041100
Packing standard	1

Weight

145 g

Variants.

Art. no.	Art. no. (ERP)	Description	GTIN
50450002	701/2	Electronic torque wrench SENSOTORK® No. 701/2 Measuring r. 1-20N·m Drive 1/4 L. 210mm	4018754243679
96504502	701/2	Electronic torque wrench SENSOTORK® No. 701/2 Measuring r. 1-20N·m Drive 1/4 L. 210mm	4018754243693
96504602	701/2 NO BATTERY	Electronic torque wrench SENSOTORK® No. 701/2 Measuring r. 1-20N·m Drive 1/4 L. 210mm	4018754280919

GTIN-Code.



Spare parts/spare part for.



59220007
Lithium-ion battery

Images.





STAHLWILLE Eduard Wille GmbH & Co. KG

Lindenallee 27 · 42349 Wuppertal · Germany · Phone: +49 202 4791-0 · Fax: +49 202 4791-200
info@stahlwille.de · www.stahlwille.com · Copyright by STAHLWILLE Eduard Wille GmbH & Co. KG, Wuppertal
Copyright by STAHLWILLE Eduard Wille GmbH & Co. KG, Wuppertal