



## Open ring insert tool

733/10

Art.No. 58231016  
GTIN 4018754085163  
Model 733/10 16



### Label.

Open ring insert tool Spanner size 16mm Tool holders 9 x 12

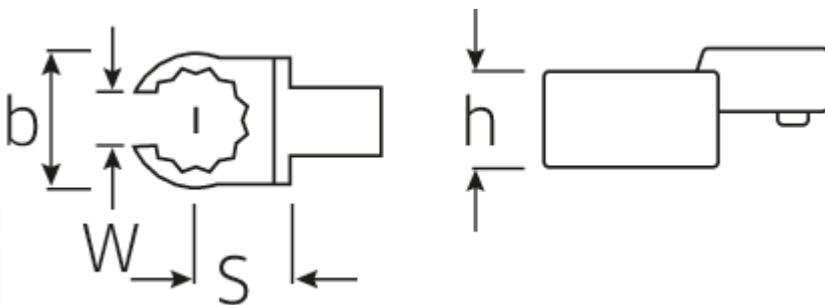
### Features.

- For square drive torque wrenches
- Fixation by pin lock
- Chromium over nickel, durable and chip-proof finish
- Drop-forged, hardened and cooled in oil bath
- Extremely resilient, exceptionally durable

### Advantages.

For torque wrench with square drive.

### Technical Drawing.



### Technical Attributes.

Width mm (b) 30,5 mm

### Logistics data.

Depth mm (IFS) 47

<b>Size square socket [inside square drive]</b>	9 x 12 mm	<b>Width mm (IFS)</b>	32
<b>Height mm (h)</b>	13 mm	<b>Height mm (IFS)</b>	14
<b>S</b>	17,5 mm	<b>Length (packed, mm)</b>	53
<b>Width across flats [mm]</b>	16 mm	<b>Width (packed, mm)</b>	35
<b>W</b>	13 mm	<b>Height (packed, mm)</b>	15
		<b>Volume (packed, dm3)</b>	0.027825 dm3
		<b>Art. no.</b>	58231016
		<b>Weight (gross, kg)</b>	0,068
		<b>Weight PAP (kg)</b>	0,000
		<b>Weight PVC (kg)</b>	0,002
		<b>GTIN</b>	4018754085163
		<b>Country of origin</b>	GERMANY
		<b>Region of origin</b>	Nordrhein-Westfalen
		<b>WEEE/ElektroG</b>	nicht ear-pflichtig
		<b>Customs tariff no.</b>	82041100
		<b>Packing standard</b>	1
		<b>Weight</b>	65 g

## Variants.

Art. no.	Art. no. (ERP)	Description	GTIN
58231010	733/10 10	Open ring insert tool Spanner size 10mm Tool holders9 x 12	4018754034352
58231011	733/10 11	Open ring insert tool Spanner size 11mm Tool holders9 x 12	4018754034369
58231012	733/10 12	Open ring insert tool Spanner size 12mm Tool holders9 x 12	4018754034376
58231013	733/10 13	Open ring insert tool Spanner size 13mm Tool holders9 x 12	4018754034383
58231014	733/10 14	Open ring insert tool Spanner size 14mm Tool holders9 x 12	4018754034390
58231016	733/10 16	Open ring insert tool Spanner size 16mm Tool holders9 x 12	4018754085163
58231017	733/10 17	Open ring insert tool Spanner size 17mm Tool holders9 x 12	4018754034406
58231018	733/10 18	Open ring insert tool Spanner size 18mm Tool holders9 x 12	4018754034413
58231019	733/10 19	Open ring insert tool Spanner size 19mm Tool holders9 x 12	4018754034420
58231021	733/10 21	Open ring insert tool Spanner size 21mm Tool holders9 x 12	4018754085170
58231022	733/10 22	Open ring insert tool Spanner size 22mm Tool holders9 x 12	4018754034437

58231024 733/10 24

Open ring insert tool Spanner size  
24mm Tool holders 9 x 12

4018754034444

## GTIN-Code.



**STAHLWILLE Eduard Wille GmbH & Co. KG**

Lindenallee 27 · 42349 Wuppertal · Germany · Phone: +49 202 4791-0 · Fax: +49 202 4791-200  
info@stahlwille.de · www.stahlwille.com · Copyright by STAHLWILLE Eduard Wille GmbH & Co. KG, Wuppertal  
Copyright by STAHLWILLE Eduard Wille GmbH & Co. KG, Wuppertal