



Ratchet shell tool

735/80

Art.No. **58250080**
GTIN **4018754109616**
Model **735/80**

Label. Ratchet shell tool External square 3/4" Tool holders 24,5x28

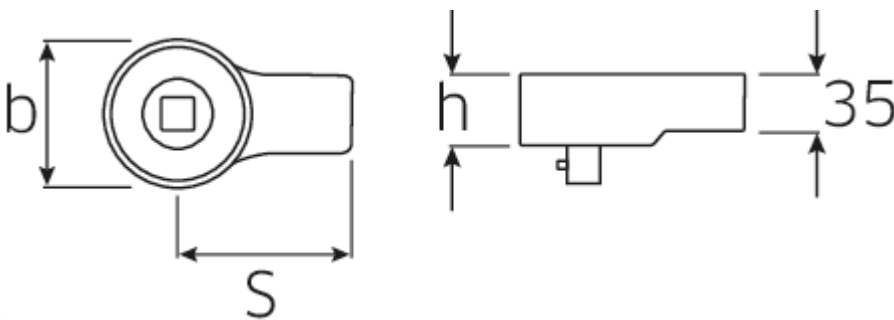
Features.

- with push through square drive
- 30 teeth

Advantages.

With push through square drive.

Technical Drawing.



Technical Attributes.

Number of teeth	30
Working angle	12 °
External square [inch]	3/4 "

Logistics data.

Depth mm (IFS)	133
Width mm (IFS)	76
Height mm (IFS)	65

Width mm (b)	76 mm	Length (packed, mm)	140
Size of tool holder external square	24,5x28 mm	Width (packed, mm)	76
Height mm (h)	43 mm	Height (packed, mm)	65
S	95 mm	Volume (packed, dm ³)	0.6916 dm ³
		Art. no.	58250080
		Weight (gross, kg)	1,930
		Weight PAP (kg)	0,000
		Weight PVC (kg)	0,008
		GTIN	4018754109616
		Country of origin	GERMANY
		Region of origin	Nordrhein-Westfalen
		WEEE/ElektroG	nicht ear-pflichtig
		Customs tariff no.	82041100
		Packing standard	1
		Weight	1930 g

Variants.

Art. no.	Art. no. (ERP)	Description	GTIN
58250080	735/80	Ratchet shell tool External square 3/4" Tool holders24,5x28	4018754109616

GTIN-Code.



STAHLWILLE Eduard Wille GmbH & Co. KG

Lindenallee 27 · 42349 Wuppertal · Germany · Phone: +49 202 4791-0 · Fax: +49 202 4791-200
 info@stahlwille.de · www.stahlwille.com · Copyright by STAHLWILLE Eduard Wille GmbH & Co. KG, Wuppertal
 Copyright by STAHLWILLE Eduard Wille GmbH & Co. KG, Wuppertal