

Service MANOSKOP® torque wrenches w.mount for insert tools

730N



Art.No. 50181102
GTIN 4018754295234
Model 730N/2 4-20 NM



Label.

Service MANOSKOP torque wrenches w.mount for insert tools No. 730N Measuring r. 4-20N·m Tool holders 9 x 12 mm L. 275mm

Features.

- mount for interchangeable insert tools
- QuickRelease safety lock
- can be applied for either clockwise or anticlockwise tightening by turning the inserts over
- display deviation value $\pm 3\%$ (size 2; a/2 4 %)

Advantages.

Mount for interchangeable inserts/sockets.

Product highlights.



Flexible rod principle.

Mechanical torque wrenches from STAHLWILLE have a wear-resistant trigger system with a flexible rod. In contrast to conventional torque wrenches with spiral springs, the STAHLWILLE system eliminates one key work step: once the fastener has been tightened, it is not necessary to reset the wrench to »0«.



Simple.

Quick adjustment from outside, no disassembly of the torque wrench required, with two adjustment points for the maximum & minimum values.

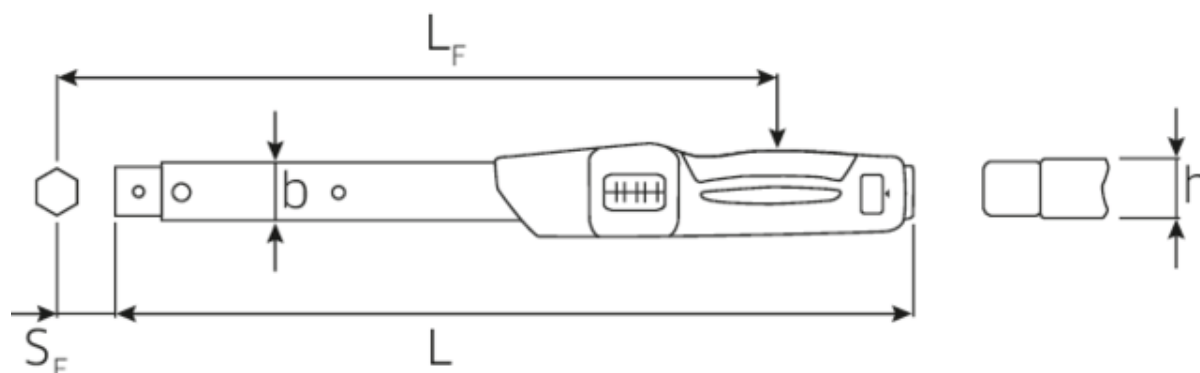


Clicking.

When the target torque is reached, MANOSKOP® 730N provides a noticeable tactile dual stop signal.

**Clear view.**

Easy-to-read dual scale with colour differentiation between the N·m and ft.lb scales to simplify fine setting.

Technical Drawing.**Technical Attributes.**

Measuring range N·m	4-20 N·m
Measuring range in·lb	40-180 in·lb
Width mm (b)	28 mm
Fine scale division	0,2 N·m
Size	2
Size square socket [inside square drive]	9 x 12 mm
Height mm (h)	23 mm
Length mm (L)	275 mm
LF	226 mm
MA N·m	4 N·m
Nominal value N·m	20 N·m
SF	17,5 mm
Scale division [E1]	1 N·m
Scale division [E2]	10 in·lb

Logistics data.

Depth mm (IFS)	455
Width mm (IFS)	50
Height mm (IFS)	50
Length (packed, mm)	500
Width (packed, mm)	55
Height (packed, mm)	55
Volume (packed, dm ³)	1.5125 dm ³
Art. no.	50181102
Weight (gross, kg)	0,805
Weight PAP (kg)	0,000
Weight PVC (kg)	0,066
GTIN	4018754295234
Country of origin	GERMANY
Region of origin	Nordrhein-Westfalen
WEEE/ElektroG	nicht ear-pflichtig
Customs tariff no.	82041100
Packing standard	1
Weight	737 g

Variants.

Art. no.	Art. no. (ERP)	Description	GTIN
50181102	730N/2 4-20 NM	Service MANOSKOP torque wrenches w.mount for insert tools No. 730N Measuring r. 4-20N·m Tool holders 9 x 12 mm L. 275mm	4018754295234

GTIN-Code.



STAHLWILLE Eduard Wille GmbH & Co. KG

Lindenallee 27 · 42349 Wuppertal · Germany · Phone: +49 202 4791-0 · Fax: +49 202 4791-200
info@stahlwille.de · www.stahlwille.com · Copyright by STAHLWILLE Eduard Wille GmbH & Co. KG, Wuppertal
Copyright by STAHLWILLE Eduard Wille GmbH & Co. KG, Wuppertal