



Bit holder insert tool

736

Art.No. **58262610**
GTIN **4018754103935**
Model **736/10 1 1/4**

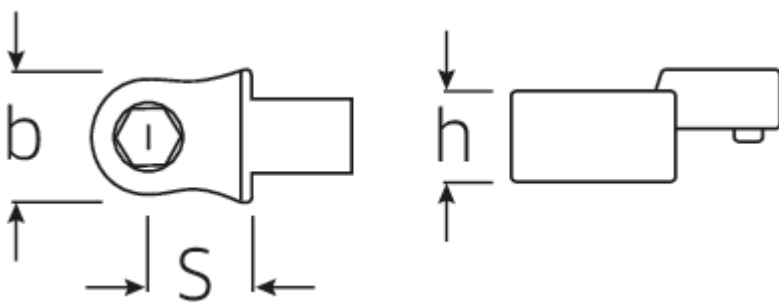
Label. Bit holder insert tool Hex null" Tool holders 9 x 12

- Features.**
- internal hex drive with a collar-thrust spring
 - bits are easy to insert, lock securely in position and can be removed just as easily

Advantages.

Inner hex with ring compression spring.

Technical Drawing.



Technical Attributes.

Internal hex drive (mm)	D 6,3 mm
Internal hex drive (inch)	1/4
Width mm (b)	14 mm

Logistics data.

Depth mm (IFS)	40
Width mm (IFS)	22
Height mm (IFS)	15

Size	10-1	Length (packed, mm)	41
Size square socket [inside square drive]	9 x 12 mm	Width (packed, mm)	23
Height mm (h)	10 mm	Height (packed, mm)	16
S	17,5 mm	Volume (packed, dm³)	0.015088 dm ³
		Art. no.	58262610
		Weight (gross, kg)	0,045
		Weight PAP (kg)	0,000
		Weight PVC (kg)	0,002
		GTIN	4018754103935
		Country of origin	GERMANY
		Region of origin	Nordrhein-Westfalen
		WEEE/ElektroG	nicht ear-pflichtig
		Customs tariff no.	82041100
		Packing standard	1
		Weight	45 g

Variants.

Art. no.	Art. no. (ERP)	Description	GTIN
58261010	736/10 5/16	Bit holder insert tool Hex null" Tool holders9 x 12	4018754103911
58262610	736/10 1 1/4	Bit holder insert tool Hex null" Tool holders9 x 12	4018754103935

GTIN-Code.



STAHLWILLE Eduard Wille GmbH & Co. KG

Lindenallee 27 · 42349 Wuppertal · Germany · Phone: +49 202 4791-0 · Fax: +49 202 4791-200
 info@stahlwille.de · www.stahlwille.com · Copyright by STAHLWILLE Eduard Wille GmbH & Co. KG, Wuppertal
 Copyright by STAHLWILLE Eduard Wille GmbH & Co. KG, Wuppertal