



Torque tester

Smartcheck 400 USB

Art.No. **96521209**
GTIN **4018754324873**
Model **SMARTCHECK 400 USB**



Label.

Torque tester SmartCheck USB Measuring r.40-400N·m Internal square 3/4"

Features.

- Compact design
- For horizontal or vertical mounting
- Display, display holder and base body can be rotated through 180°
- Micro USB interface for data export and power supply
- Software CheckMaster for transferring values and creating test certificates can be downloaded free of charge at www.stahlwille.de.
- Three operating modes (Track, First Peak, Peak Hold)
- For testing torque wrenches
- Three units of measurement (N·m, ft·lb, in·lb)
- Target torque and tolerances for evaluating the measured value can be individually specified
- Operation via supplied mains adapter or battery (4 x AAA or 1 x 9V block, adapter included)
- with integrated optical and acoustic overload protection
- Display and membrane keypad are splash-proof, the housing is made of impact-resistant plastic
- with certificate
- Delivered in a sturdy plastic case
- **Display deviation $\pm 1\%$**

Advantages.

Torque tester max. 1500 Nm, recording square, display, display holder and base body rotatable by 180°.

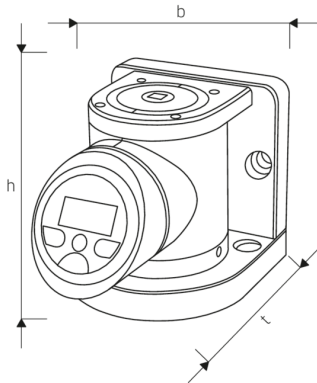
3 operating modes (Track, First Peak, Peak Hold), with +/- 1% display deviation, with certificate.

With USB interface (for power supply and data exchange), included in delivery: USB power supply and Micro USB cable.

Target torque and tolerances can be entered individually to evaluate the measured value.



Technical Drawing.



Technical Attributes.

| | |
|------------------------|--------------------|
| Measuring range N·m | 40-400 N·m |
| Internal square [inch] | 3/4 " |
| Measuring range ft·lb | 30-295 ft·lb |
| Measuring range in·lb | 354-3540 in·lb |
| Number of digits | 4 |
| No. | SmartCheck USB 400 |

Logistics data.

| | |
|-----------------------------------|---------------------------|
| Depth mm (IFS) | 395 |
| Width mm (IFS) | 315 |
| Height mm (IFS) | 145 |
| Length (packed, mm) | 395 |
| Width (packed, mm) | 315 |
| Height (packed, mm) | 145 |
| Volume (packed, dm ³) | 18.041625 dm ³ |
| Art. no. | 96521209 |
| Weight (gross, kg) | 7,210 |
| Weight PAP (kg) | 0,156 |
| Weight PVC (kg) | 0,000 |
| GTIN | 4018754324873 |
| Country of origin | GERMANY |
| Region of origin | Nordrhein-Westfalen |
| WEEE/ElektroG | Kleingeräte B2C |
| Customs tariff no. | 90318080 |
| Packing standard | 1 |
| Weight | 5690 g |

Variants.

| Art. no. | Art. no. (ERP) | Description | GTIN |
|----------|---------------------|---|---------------|
| 96521206 | SMARTCHECK 10S USB | Torque screwdriver tester SmartCheck USB Measuring r.1-10N·m Internal square 1/4" | 4018754324842 |
| 96521207 | SMARTCHECK 10 USB | Torque tester SmartCheck USB Measuring r.1-10N·m Internal square 1/4" | 4018754324859 |
| 96521208 | SMARTCHECK 100 USB | Torque tester SmartCheck USB Measuring r.10-100N·m Internal square 3/8" | 4018754324866 |
| 96521209 | SMARTCHECK 400 USB | Torque tester SmartCheck USB Measuring r.40-400N·m Internal square 3/4" | 4018754324873 |
| 96521210 | SMARTCHECK 800 USB | Torque tester SmartCheck USB Measuring r.80-800N·m Internal square 3/4" | 4018754324880 |
| 96521211 | SMARTCHECK 1500 USB | Torque tester SmartCheck USB Measuring r.150-1500N·m Internal square 1" | 4018754331352 |

GTIN-Code.



Images.





STAHLWILLE Eduard Wille GmbH & Co. KG

Lindenallee 27 · 42349 Wuppertal · Germany · Phone: +49 202 4791-0 · Fax: +49 202 4791-200
info@stahlwille.de · www.stahlwille.com · Copyright by STAHLWILLE Eduard Wille GmbH & Co. KG, Wuppertal
Copyright by STAHLWILLE Eduard Wille GmbH & Co. KG, Wuppertal