



Standard puller

11250

Art.No. **71025001**
GTIN **4018754341948**
Model **11250/1 Abzieher, 2armig
280x390mm**

Label. Standard puller Clamping w.280mm x Clamping d.390mm

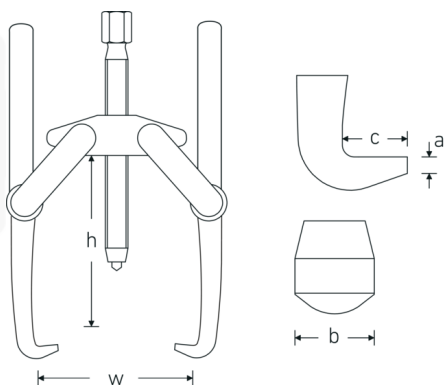
- Features.**
- two-armed
 - with swivelling trigger hooks, for large areas, galvanised
 - for pulling off gears, ball bearings, pulleys and similar parts from a shaft or axle
 - by repositioning the hooks, can be used as an external and internal extractor
 - for internal use, the hooks are swivelled and the spindle repositioned
 - the large leverage effect ensures that the hooks are firmly seated on the part to be extracted or removed

Advantages.

The greater the extraction force, the stronger the grip of the extractor hooks on the workpiece to be extracted. **Adjustable clamping depth for universal use.**

Easy on the workpiece thanks to even force distribution.

Technical Drawing.



Technical Attributes.

External hex drive (mm)	22 mm
Size	1
Number of hooks	2
max. load	8 t
Clamping depth (h) mm	390 mm
Spindle thread size	G 1/2 x 250
External span max. mm (w1)	280 mm

Logistics data.

Depth mm (IFS)	455
Width mm (IFS)	230
Height mm (IFS)	53
Length (packed, mm)	590
Width (packed, mm)	395
Height (packed, mm)	110
Volume (packed, dm3)	25.6355 dm3
Art. no.	71025001
Weight (gross, kg)	6,100
Weight PAP (kg)	1,138
Weight PVC (kg)	0,000
GTIN	4018754341948
Country of origin	GERMANY
Region of origin	Nordrhein-Westfalen
WEEE/ElektroG	nicht ear-pflichtig
Customs tariff no.	82055980
Packing standard	1
Weight	4983 g

Variants.

Art. no.	Art. no. (ERP)	Description	GTIN
71025001	11250/1 Abzieher, 2armig 280x390mm	Standard puller Clamping w.280mm x Clamping d.390mm	4018754341948
71025002	11250/2 Abzieher, 2armig 420x480mm	Standard puller Clamping w.420mm x Clamping d.480mm	4018754341955

GTIN-Code.



Spare parts/spare part for.



79281004

Images.



STAHLWILLE Eduard Wille GmbH & Co. KG

Lindenallee 27 · 42349 Wuppertal · Germany · Phone: +49 202 4791-0 · Fax: +49 202 4791-200

info@stahlwille.de · www.stahlwille.com · Copyright by STAHLWILLE Eduard Wille GmbH & Co. KG, Wuppertal

Copyright by STAHLWILLE Eduard Wille GmbH & Co. KG, Wuppertal