

Service MANOSKOP® torque wrenches w.mount for insert tools

730Na/5



Art.No. 50581005
GTIN 4018754139569
Model 730NA/5



Label.

Torque wrench service MANOSKOP® No. 730Na/5 Measuring r. 90-450in lb Tool holders 9 x 12 mm L. 330mm

Features.

- mount for interchangeable insert tools
- QuickRelease safety lock
- can be applied for either clockwise or anticlockwise tightening by turning the inserts over
- display deviation value $\pm 3\%$ (size 2; a/2 4 %)

Advantages.

Mount for interchangeable inserts/sockets.

Product highlights.



Flexible rod principle.

Mechanical torque wrenches from STAHLWILLE have a wear-resistant trigger system with a flexible rod. In contrast to conventional torque wrenches with spiral springs, the STAHLWILLE system eliminates one key work step: once the fastener has been tightened, it is not necessary to reset the wrench to »0«.



Simple.

Quick adjustment from outside, no disassembly of the torque wrench required, with two adjustment points for the maximum & minimum values.



Clicking.

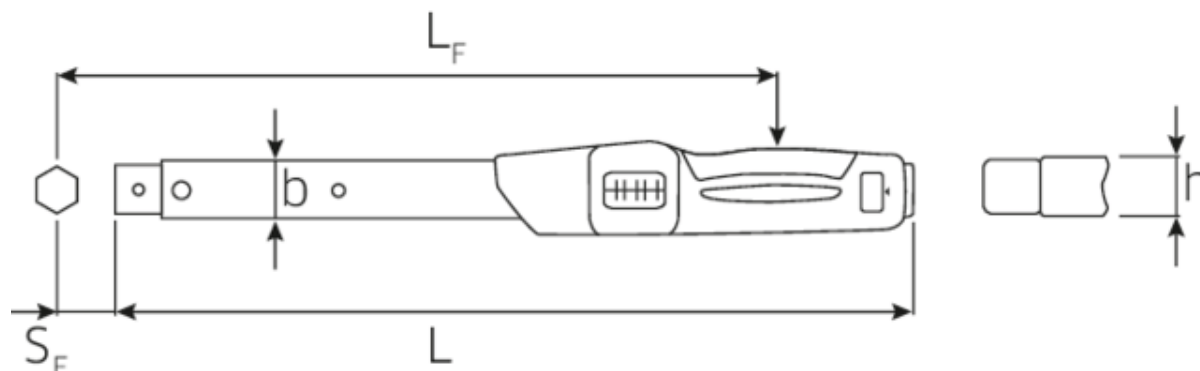
When the target torque is reached, MANOSKOP® 730N provides a noticeable tactile dual stop signal.



Clear view.

Easy-to-read dual scale with colour differentiation between the N·m and ft.lb scales to simplify fine setting.

Technical Drawing.



Technical Attributes.

Measuring range ft·lb	7-37 ft·lb
Measuring range in·lb	90-450 in·lb
Width mm (b)	28 mm
Fine scale division	2,5 in·lb
Size	a/5
Size square socket [inside square drive]	9 x 12 mm
Height mm (h)	23 mm
Length mm (L)	330 mm
LF	280,5 mm
SF	17,5 mm
Scale division [E1]	50 in·lb
Scale division [E2]	1 ft·lb

Logistics data.

Depth mm (IFS)	455
Width mm (IFS)	52
Height mm (IFS)	52
Length (packed, mm)	455
Width (packed, mm)	52
Height (packed, mm)	52
Volume (packed, dm3)	1.23032 dm3
Art. no.	50581005
Weight (gross, kg)	1,057
Weight PAP (kg)	0,000
Weight PVC (kg)	0,110
GTIN	4018754139569
Country of origin	GERMANY
Region of origin	Nordrhein-Westfalen
WEEE/ElektroG	nicht ear-pflichtig
Customs tariff no.	82041100
Packing standard	1
Weight	831 g

Variants.

Art. no.	Art. no. (ERP)	Description	GTIN
50181002	730N/2	Torque wrench service MANOSKOP® No. 730N/2 Measuring r. 2-20N·m Tool holders 9 x 12 mm L. 275mm	4018754170777
50581002	730NA/2	Torque wrench service MANOSKOP® No. 730Na/2 Measuring r. 20-180in lb Tool holders 9 x 12 mm L. 275mm	4018754170784
50581102	730NA/2 40-180 INLB	Service MANOSKOP torque wrenches w.mount for insert tools No. 730NA Measuring r. 40-180in lb Tool holders 9 x 12 mm L. 275mm	4018754295326
50581040	730NA/40	Torque wrench service MANOSKOP® No. 730Na/40 Measuring r. 60-300in lb Tool holders 14 x 18 mm L. 607mm	4018754164004
50581020	730NA/20	Torque wrench service MANOSKOP® No. 730Na/20 Measuring r. 350-1800in lb Tool holders 14 x 18 mm L. 467mm	4018754139590
50581010	730NA/10	Torque wrench service MANOSKOP® No. 730Na/10 Measuring r. 180-900in lb Tool holders 9 x 12 mm L. 386mm	4018754139576
50581005	730NA/5	Torque wrench service MANOSKOP® No. 730Na/5 Measuring r. 90-450in lb Tool holders 9 x 12 mm L. 330mm	4018754139569

GTIN-Code.



STAHLWILLE Eduard Wille GmbH & Co. KG

Lindenallee 27 · 42349 Wuppertal · Germany · Phone: +49 202 4791-0 · Fax: +49 202 4791-200

info@stahlwille.de · www.stahlwille.com · Copyright by STAHLWILLE Eduard Wille GmbH & Co. KG, Wuppertal

Copyright by STAHLWILLE Eduard Wille GmbH & Co. KG, Wuppertal