



Open ring insert tool

733/10



Art.No. 58231011
GTIN 4018754034369
Model 733/10 11



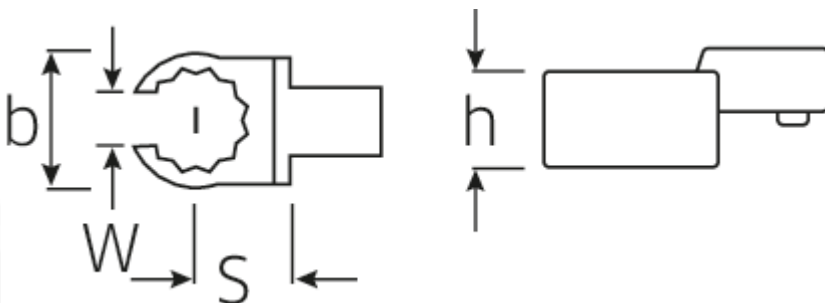
Label. Open ring insert tool Spanner size 11mm Tool holders 9 x 12

- Features.**
- For square drive torque wrenches
 - Fixation by pin lock
 - Chromium over nickel, durable and chip-proof finish
 - Drop-forged, hardened and cooled in oil bath
 - Extremely resilient, exceptionally durable

Advantages.

For torque wrench with square drive.

Technical Drawing.



Technical Attributes.

Width mm (b) 22,5 mm

Logistics data.

Depth mm (IFS) 44

Size square socket [inside square drive]	9 x 12 mm	Width mm (IFS)	23
Height mm (h)	11 mm	Height mm (IFS)	14
S	17,5 mm	Length (packed, mm)	50
Width across flats [mm]	11 mm	Width (packed, mm)	26
W	8,6 mm	Height (packed, mm)	15
		Volume (packed, dm3)	0.0195 dm3
		Art. no.	58231011
		Weight (gross, kg)	0,058
		Weight PAP (kg)	0,000
		Weight PVC (kg)	0,002
		GTIN	4018754034369
		Country of origin	GERMANY
		Region of origin	Nordrhein-Westfalen
		WEEE/ElektroG	nicht ear-pflichtig
		Customs tariff no.	82041100
		Packing standard	1
		Weight	55 g

Variants.

Art. no.	Art. no. (ERP)	Description	GTIN
58231010	733/10 10	Open ring insert tool Spanner size 10mm Tool holders9 x 12	4018754034352
58231011	733/10 11	Open ring insert tool Spanner size 11mm Tool holders9 x 12	4018754034369
58231012	733/10 12	Open ring insert tool Spanner size 12mm Tool holders9 x 12	4018754034376
58231013	733/10 13	Open ring insert tool Spanner size 13mm Tool holders9 x 12	4018754034383
58231014	733/10 14	Open ring insert tool Spanner size 14mm Tool holders9 x 12	4018754034390
58231016	733/10 16	Open ring insert tool Spanner size 16mm Tool holders9 x 12	4018754085163
58231017	733/10 17	Open ring insert tool Spanner size 17mm Tool holders9 x 12	4018754034406
58231018	733/10 18	Open ring insert tool Spanner size 18mm Tool holders9 x 12	4018754034413
58231019	733/10 19	Open ring insert tool Spanner size 19mm Tool holders9 x 12	4018754034420
58231021	733/10 21	Open ring insert tool Spanner size 21mm Tool holders9 x 12	4018754085170
58231022	733/10 22	Open ring insert tool Spanner size 22mm Tool holders9 x 12	4018754034437

58231024 733/10 24

Open ring insert tool Spanner size
24mm Tool holders 9 x 12

4018754034444

GTIN-Code.



STAHLWILLE Eduard Wille GmbH & Co. KG

Lindenallee 27 · 42349 Wuppertal · Germany · Phone: +49 202 4791-0 · Fax: +49 202 4791-200
info@stahlwille.de · www.stahlwille.com · Copyright by STAHLWILLE Eduard Wille GmbH & Co. KG, Wuppertal
Copyright by STAHLWILLE Eduard Wille GmbH & Co. KG, Wuppertal