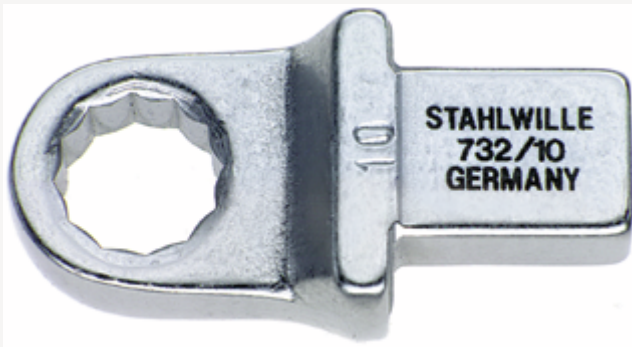


## Ring insert tool

732/10



Art.No. 58221010  
GTIN 4018754034079  
Model 732/10 10



### Label.

Ring insert tool Spanner size 10mm Tool holders 9 x 12

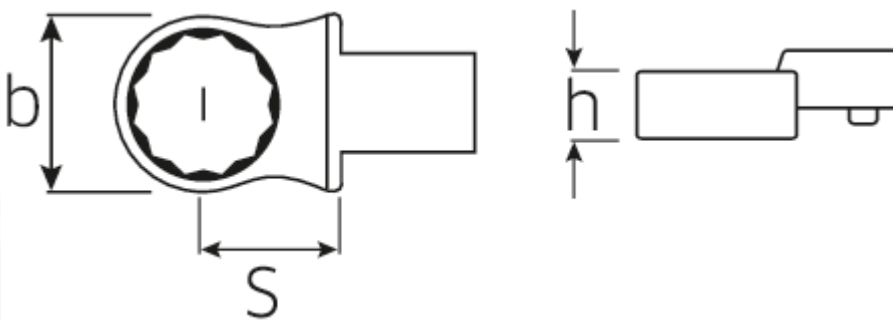
### Features.

- For square drive torque wrenches
- Fixation by pin lock
- Chromium over nickel, durable and chip-proof finish
- Drop-forged, hardened and cooled in oil bath
- Extremely resilient, exceptionally durable

## Advantages.

For torque wrench with square drive.

## Technical Drawing.



## Technical Attributes.

|  |           |
|--|-----------|
| Width mm (b)                             | 17,2 mm   |
| Size square socket [inside square drive] | 9 x 12 mm |
| Height mm (h)                            | 9 mm      |
| S  | 17,5 mm   |
| Width across flats [mm]                  | 10 mm     |

## Logistics data.

|                                   |                        |
|-----------------------------------|------------------------|
| Depth mm (IFS)                    | 42                     |
| Width mm (IFS)                    | 22                     |
| Height mm (IFS)                   | 15                     |
| Length (packed, mm)               | 48                     |
| Width (packed, mm)                | 25                     |
| Height (packed, mm)               | 16                     |
| Volume (packed, dm <sup>3</sup> ) | 0.0192 dm <sup>3</sup> |
| Art. no.                          | 58221010               |
| Weight (gross, kg)                | 0,045                  |
| Weight PAP (kg)                   | 0,000                  |
| Weight PVC (kg)                   | 0,002                  |
| GTIN                              | 4018754034079          |
| Country of origin                 | GERMANY                |
| Region of origin                  | Nordrhein-Westfalen    |
| WEEE/ElektroG                     | nicht ear-pflichtig    |
| Customs tariff no.                | 82041100               |
| Packing standard                  | 1                      |
| Weight                            | 44 g                   |

## Variants.

| Art. no. | Art. no. (ERP) | Description   | GTIN          |
|----------|----------------|---|---------------|
| 58221007 | 732/10 7       | Ring insert tool Spanner size 7mm Tool holders9 x 12  | 4018754034055 |
| 58221008 | 732/10 8       | Ring insert tool Spanner size 8mm Tool holders9 x 12  | 4018754034062 |
| 58221010 | 732/10 10      | Ring insert tool Spanner size 10mm Tool holders9 x 12 | 4018754034079 |
| 58221011 | 732/10 11      | Ring insert tool Spanner size 11mm Tool holders9 x 12 | 4018754034086 |
| 58221012 | 732/10 12      | Ring insert tool Spanner size 12mm Tool holders9 x 12 | 4018754034093 |
| 58221013 | 732/10 13      | Ring insert tool Spanner size 13mm Tool holders9 x 12 | 4018754034109 |
| 58221014 | 732/10 14      | Ring insert tool Spanner size 14mm Tool holders9 x 12 | 4018754034116 |
| 58221015 | 732/10 15      | Ring insert tool Spanner size 15mm Tool holders9 x 12 | 4018754034123 |

|          |           |  |               |
|----------|-----------|--|---------------|
| 58221016 | 732/10 16 | Ring insert tool Spanner size 16mm<br>Tool holders9 x 12 | 4018754034130 |
| 58221017 | 732/10 17 | Ring insert tool Spanner size 17mm<br>Tool holders9 x 12 | 4018754034147 |
| 58221018 | 732/10 18 | Ring insert tool Spanner size 18mm<br>Tool holders9 x 12 | 4018754034154 |
| 58221019 | 732/10 19 | Ring insert tool Spanner size 19mm<br>Tool holders9 x 12 | 4018754034161 |
| 58221021 | 732/10 21 | Ring insert tool Spanner size 21mm<br>Tool holders9 x 12 | 4018754034178 |
| 58221022 | 732/10 22 | Ring insert tool Spanner size 22mm<br>Tool holders9 x 12 | 4018754034185 |

## GTIN-Code.



**STAHLWILLE Eduard Wille GmbH & Co. KG**

Lindenallee 27 · 42349 Wuppertal · Germany · Phone: +49 202 4791-0 · Fax: +49 202 4791-200  
info@stahlwille.de · www.stahlwille.com · Copyright by STAHLWILLE Eduard Wille GmbH & Co. KG, Wuppertal  
Copyright by STAHLWILLE Eduard Wille GmbH & Co. KG, Wuppertal