



## TORX® insert tool

**732TX/40**

Art.No. **58294014**  
GTIN **4018754096831**  
Model **732TX/40 E 14**

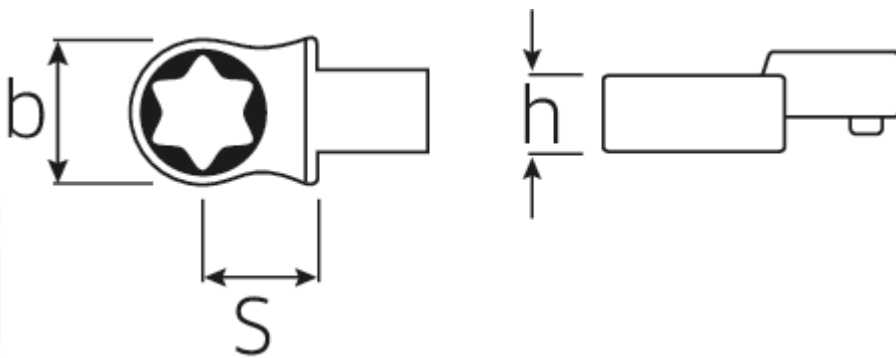
**Label.** TORX insert tool Tool holders 14 x 18

- Features.**
- For square drive torque wrenches
  - Fixation by pin lock
  - Chromium over nickel, durable and chip-proof finish
  - Drop-forged, hardened and cooled in oil bath
  - Extremely resilient, exceptionally durable

## Advantages.

For torque wrench with square drive.

## Technical Drawing.



## Technical Attributes.

Drive profile	TORX®
Width mm (b)	22,5 mm
Size of output profile	E14
Size square socket [inside square drive]	14 x 18 mm
Height mm (h)	11 mm
S	25 mm

## Logistics data.

Depth mm (IFS)	60
Width mm (IFS)	30
Height mm (IFS)	22
Length (packed, mm)	80
Width (packed, mm)	100
Height (packed, mm)	22
Volume (packed, dm3)	0.176 dm3
Art. no.	58294014
Weight (gross, kg)	0,130
Weight PAP (kg)	0,000
Weight PVC (kg)	0,002
GTIN	4018754096831
Country of origin	GERMANY
Region of origin	Nordrhein-Westfalen
WEEE/ElektroG	nicht ear-pflichtig
Customs tariff no.	82041100
Packing standard	1
Weight	130 g

## Variants.

Art. no.	Art. no. (ERP)	Description	GTIN
58294014	732TX/40 E 14	TORX insert tool Tool holders14 x 18	4018754096831
58294018	732TX/40 E 18	TORX insert tool Tool holders14 x 18	4018754096848
58294020	732TX/40 E 20	TORX insert tool Tool holders14 x 18	4018754096855
58294024	732TX/40 E 24	TORX insert tool Tool holders14 x 18	4018754096862

## GTIN-Code.





**STAHLWILLE Eduard Wille GmbH & Co. KG**

Lindenallee 27 · 42349 Wuppertal · Germany · Phone: +49 202 4791-0 · Fax: +49 202 4791-200  
info@stahlwille.de · www.stahlwille.com · Copyright by STAHLWILLE Eduard Wille GmbH & Co. KG, Wuppertal  
Copyright by STAHLWILLE Eduard Wille GmbH & Co. KG, Wuppertal