

## Electronic torque wrench w. permanently installed fine-tooth ratchet

701/2



Art.No. 96504602  
GTIN 4018754280919  
Model 701/2 NO BATTERY



### Label.

Electronic torque wrench SENSOTORK® No. 701/2 Measuring r. 1-20N·m Drive 1/4  
L. 210mm

### Features.

- indicating
- slim, compact shape for smaller torques from 1 N·m upwards
- measuring units: N·m, cN·m, ft·lb, in·lb
- measurements independent of the point of application of force
- additional functions using SensoMaster 4 software (not included, free download at [www.stahlwille.com](http://www.stahlwille.com)):
  - adjustable joints
  - evaluation of tightening operation by means of coloured LEDs, buzzer and vibration
  - alibrating interval adjustable
  - logging function
- supplied with 3.6 V lithium battery, type 14500, packed in accordance with UN3091, Class 9
- calibration in conjunction with perfectControl® calibrating unit No 7794 or complete calibration system No 7706. Readjustment does not require disassembly
- certificate in accordance with DIN EN ISO 6789-2:2017
- in sturdy plastic box
- **display deviation value ± 4%**

### Advantages.

Electronic torque wrench for a small measuring range of 1 – 20 Nm.

The compact design with built-in fine-tooth ratchet makes precise screw tightening possible, even in confined spaces.

Simple documentation of the measured values on the PC via the USB interface.



## Product highlights.



### Compact.

With a compact length of only 21 cm, it is ideally suited to safe, accurate work in confined spaces.



### Versatile.

For torques from 1 to 20 N·m – the ideal choice for bolt tightening on modern materials such as plastic, carbon and aluminium, for state-of-the-art bicycles with carbon frames, for example.



### Intuitiv.

The required mode of operation (track, peak hold, user (fastener evaluation)) can be quickly and easily set using the single button setting system.



### Accurat.

Accuracy counts – uncertainty is reduced to a minimum to guarantee accurate readings.

### Logging function.

Comprehensive documentation options. As many as 2000 tightening actions can be stored with timestamps.



## Technologies and features.



### QuickRelease

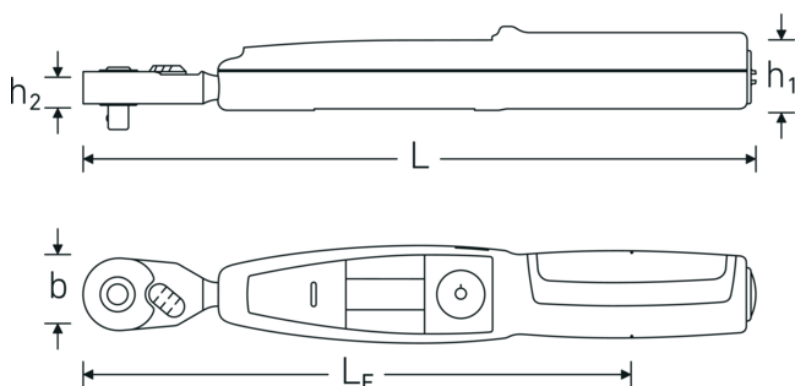
The QuickRelease technology ensures tools cannot be inadvertently lost – while enabling rapid, safe tool changes.



### Fine tooth ratchet mechanisms.

STAHLWILLE fine tooth ratchets have a specially developed, perfectly balanced mechanism with 80 teeth, ensuring maximum load capacity and, at the same time, excellent durability. With STAHLWILLE fine-tooth ratchets, no less than eight teeth engage at once, which provides smooth working action. The tight ratchet angle of only  $4.5^\circ$  enables efficient working in confined spaces.

## Technical Drawing.



## Technical Attributes.

Measuring range N·m	1-20 N·m
Measuring range cN·m	100-2000 cN·m
External square drive (inch)	1/4
Width mm (b)	22,6 mm
Weight with box	700 g
Height mm (h1)	26 mm
Height mm (h2)	10 mm
Length mm (L)	210 mm
LF	160 mm
MA N·m	1 N·m
Nominal value N·m	20 N·m
Scale division [E1]	0,7-15 ft·lb
Scale division [E2]	9-180 in·lb

## Logistics data.

Depth mm (IFS)	325
Width mm (IFS)	135
Height mm (IFS)	60
Length (packed, mm)	325
Width (packed, mm)	135
Height (packed, mm)	60
Volume (packed, dm <sup>3</sup> )	2.6325 dm <sup>3</sup>
Art. no.	96504602
Weight (gross, kg)	0,710
Weight PAP (kg)	0,080
Weight PVC (kg)	0,000
GTIN	4018754280919
Country of origin	GERMANY
Region of origin	Nordrhein-Westfalen
WEEE/ElektroG	Kleingeräte B2C
Customs tariff no.	82041100
Packing standard	1

Weight

132 g

## Variants.

Art. no.	Art. no. (ERP)	Description	GTIN
50450002	701/2	Electronic torque wrench SENSOTORK® No. 701/2 Measuring r. 1-20N·m Drive 1/4 L. 210mm	4018754243679
96504502	701/2	Electronic torque wrench SENSOTORK® No. 701/2 Measuring r. 1-20N·m Drive 1/4 L. 210mm	4018754243693
96504602	701/2 NO BATTERY	Electronic torque wrench SENSOTORK® No. 701/2 Measuring r. 1-20N·m Drive 1/4 L. 210mm	4018754280919

## GTIN-Code.



## Spare parts/spare part for.



59220007  
Lithium-ion battery

## Images.





**STAHLWILLE Eduard Wille GmbH & Co. KG**

Lindenallee 27 · 42349 Wuppertal · Germany · Phone: +49 202 4791-0 · Fax: +49 202 4791-200  
info@stahlwille.de · www.stahlwille.com · Copyright by STAHLWILLE Eduard Wille GmbH & Co. KG, Wuppertal  
Copyright by STAHLWILLE Eduard Wille GmbH & Co. KG, Wuppertal