



Ring insert tool

732a/10

Art.No. **58621032**
GTIN **4018754035090**
Model **732A/10 1/2**



Label.

Ring insert tool Spanner size 1/2" Tool holders 9 x 12

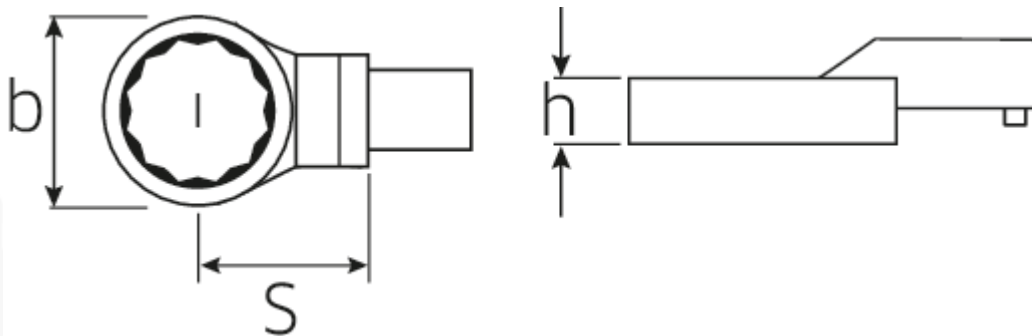
Features.

- For square drive torque wrenches
- Fixation by pin lock
- Chromium over nickel, durable and chip-proof finish
- Drop-forged, hardened and cooled in oil bath
- Extremely resilient, exceptionally durable

Advantages.

For torque wrench with square drive.

Technical Drawing.



Technical Attributes.

| | |
|--|-----------|
| Width mm (b) | 21,5 mm |
| Size square socket [inside square drive] | 9 x 12 mm |
| Height mm (h) | 11 mm |
| S | 17,5 mm |
| Spanner size [inch] | 1/2 " |

Logistics data.

| | |
|----------------------|---------------------|
| Depth mm (IFS) | 45 |
| Width mm (IFS) | 23 |
| Height mm (IFS) | 15 |
| Length (packed, mm) | 46 |
| Width (packed, mm) | 24 |
| Height (packed, mm) | 16 |
| Volume (packed, dm3) | 0.017664 dm3 |
| Art. no. | 58621032 |
| Weight (gross, kg) | 0,056 |
| Weight PAP (kg) | 0,000 |
| Weight PVC (kg) | 0,002 |
| GTIN | 4018754035090 |
| Country of origin | GERMANY |
| Region of origin | Nordrhein-Westfalen |
| WEEE/ElektroG | nicht ear-pflichtig |
| Customs tariff no. | 82041100 |
| Packing standard | 1 |
| Weight | 53 g |

Variants.

| Art. no. | Art. no. (ERP) | Description | GTIN |
|----------|----------------|---|---------------|
| 58621016 | 732A/10 1/4 | Ring insert tool Spanner size 1/4" Tool holders9 x 12 | 4018754035052 |
| 58621020 | 732A/10 5/16 | Ring insert tool Spanner size 5/16" Tool holders9 x 12 | 4018754035069 |
| 58621024 | 732A/10 3/8 | Ring insert tool Spanner size 3/8" Tool holders9 x 12 | 4018754035076 |
| 58621028 | 732A/10 7/16 | Ring insert tool Spanner size 7/16" Tool holders9 x 12 | 4018754035083 |
| 58621032 | 732A/10 1/2 | Ring insert tool Spanner size 1/2" Tool holders9 x 12 | 4018754035090 |
| 58621034 | 732A/10 9/16 | Ring insert tool Spanner size 9/16" Tool holders9 x 12 | 4018754035106 |
| 58621036 | 732A/10 5/8 | Ring insert tool Spanner size 5/8" Tool holders9 x 12 | 4018754035113 |
| 58621038 | 732A/10 11/16 | Ring insert tool Spanner size 11/16" Tool holders9 x 12 | 4018754035120 |

| | | | |
|----------|---------------|---|---------------|
| 58621040 | 732A/10 3/4 | Ring insert tool Spanner size 3/4" Tool holders9 x 12 | 4018754035137 |
| 58621042 | 732A/10 13/16 | Ring insert tool Spanner size 13/16" Tool holders9 x 12 | 4018754035144 |
| 58621044 | 732A/10 7/8 | Ring insert tool Spanner size 7/8" Tool holders9 x 12 | 4018754035151 |

GTIN-Code.



STAHLWILLE Eduard Wille GmbH & Co. KG

Lindenallee 27 · 42349 Wuppertal · Germany · Phone: +49 202 4791-0 · Fax: +49 202 4791-200
info@stahlwille.de · www.stahlwille.com · Copyright by STAHLWILLE Eduard Wille GmbH & Co. KG, Wuppertal
Copyright by STAHLWILLE Eduard Wille GmbH & Co. KG, Wuppertal