

Service MANOSKOP® torque wrenches w. permanently installed fine-tooth ratchet

730NR/5QR FK



Art.No. 96502105
GTIN 4018754180493
Model 730NR/5QR FK



Label.

Torque wrench service MANOSKOP® No. 730NR/5QR FK Measuring r. 10-50N·m
Drive 3/8 L. 372,5mm

Features.

- in sturdy plastic box
- with QuickRelease safety lock
- **deviation of indication $\pm 4\%$**

Advantages.

Display deviation $\pm 4\%$.

Product highlights.



Flexible rod principle.

Mechanical torque wrenches from STAHLWILLE have a wear-resistant trigger system with a flexible rod. In contrast to conventional torque wrenches with spiral springs, the STAHLWILLE system eliminates one key work step: once the fastener has been tightened, it is not necessary to reset the wrench to »0«.



Simple.

Quick adjustment from outside, no disassembly of the torque wrench required, with two adjustment points for the maximum & minimum values.



Clear view.

Easy-to-read dual scale with colour differentiation between the N·m and ft.lb scales to simplify fine setting.



Clicking.

When the target torque is reached, MANOSKOP® 730N provides a noticeable tactile dual stop signal.

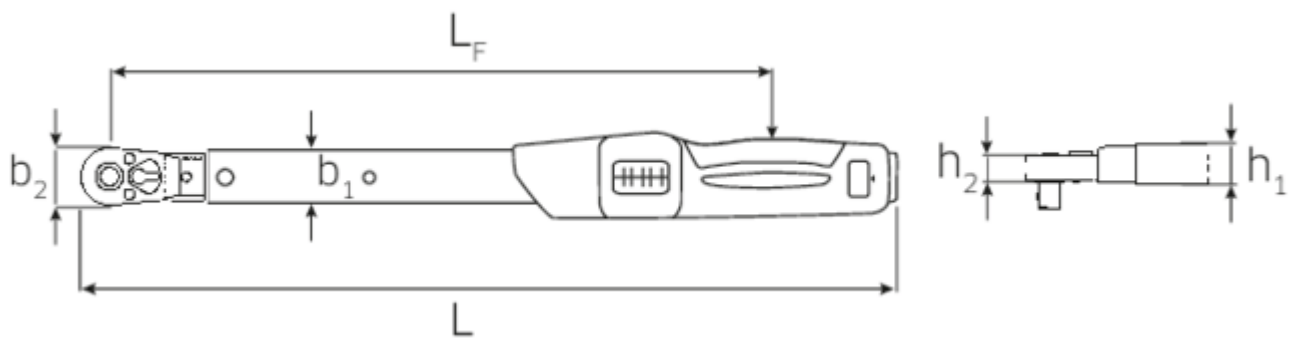
Technologies and features.



QuickRelease

The QuickRelease technology ensures tools cannot be inadvertently lost – while enabling rapid, safe tool changes.

Technical Drawing.



Technical Attributes.

| | |
|------------------------------|------------|
| Measuring range N·m | 10-50 N·m |
| Measuring range ft·lb | 7-37 ft·lb |
| External square drive (inch) | 3/8 |
| b1 | 28 mm |
| b2 | 29 mm |
| Width mm (b) | 92 mm |
| Fine scale division | 0,25 N·m |
| Weight with box | 1386 g |
| Size | 5QR FK |
| Height mm (h) | 70 mm |
| Height mm (h1) | 23 mm |
| Height mm (h2) | 14,5 mm |
| Length mm (L) | 372,5 mm |
| LF | 291 mm |
| Scale division [E1] | 5 N·m |
| Scale division [E2] | 1 ft·lb |

Logistics data.

| | |
|-----------------------------------|------------------------|
| Depth mm (IFS) | 560 |
| Width mm (IFS) | 92 |
| Height mm (IFS) | 70 |
| Length (packed, mm) | 560 |
| Width (packed, mm) | 92 |
| Height (packed, mm) | 70 |
| Volume (packed, dm ³) | 3.6064 dm ³ |
| Art. no. | 96502105 |
| Weight (gross, kg) | 1,560 |
| Weight PAP (kg) | 0,095 |
| Weight PVC (kg) | 0,000 |
| GTIN | 4018754180493 |
| Country of origin | GERMANY |
| Region of origin | Nordrhein-Westfalen |
| WEEE/ElektroG | nicht ear-pflichtig |
| Customs tariff no. | 82041100 |
| Packing standard | 1 |
| Weight | 961 g |

Variants.

| Art. no. | Art. no. (ERP) | Description | GTIN |
|----------|----------------|---|---------------|
| 96502105 | 730NR/5QR FK | Torque wrench service MANOSKOP® No. 730NR/5QR FK Measuring r. 10-50N·m Drive 3/8 L. 372,5mm | 4018754180493 |
| 96502110 | 730NR/10QR FK | Torque wrench service MANOSKOP® No. 730NR/10QR FK Measuring r. 20-100N·m Drive 1/2 L. 428,5mm | 4018754180509 |
| 96502120 | 730NR/20QR FK | Torque wrench service MANOSKOP® No. 730NR/20QR FK Measuring r. 40-200N·m Drive 1/2 L. 526mm | 4018754180516 |

GTIN-Code.



STAHLWILLE Eduard Wille GmbH & Co. KG

Lindenallee 27 · 42349 Wuppertal · Germany · Phone: +49 202 4791-0 · Fax: +49 202 4791-200
info@stahlwille.de · www.stahlwille.com · Copyright by STAHLWILLE Eduard Wille GmbH & Co. KG, Wuppertal
Copyright by STAHLWILLE Eduard Wille GmbH & Co. KG, Wuppertal