



Puller, three-armed

11210

Art.No. **71035001**
GTIN **4018754342013**
Model **11210/1 Abzieher, 3armig**
280x390mm

Label. Puller Clamping w.280mm x Clamping d.390mm

- Features.**
- three-armed
 - with swivelling puller hooks
 - puller hook and crossbar are connected by movable brackets
 - for pulling off V-belt pulleys and flywheels on long shafts
 - when the spindle is tightened, the puller hooks are tensioned and tighten
 - variable clamping depth possible by adjusting the puller hooks
 - nitrided spindle, no oiling necessary, maintenance-free
 - galvanized

Advantages.

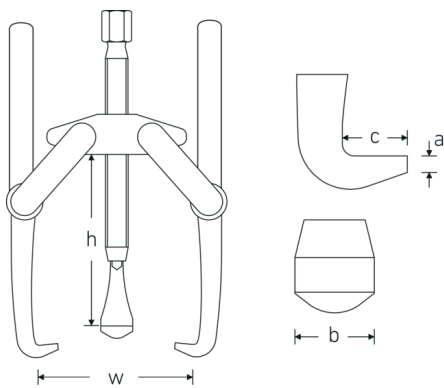
Centred extraction thanks to even load distribution over 3 extractor hooks.

Adjustable clamping depth for universal use.

The greater the extraction force, the stronger the grip of the extractor hooks on the workpiece to be extracted.

Easy on the workpiece thanks to even force distribution.

Technical Drawing.



Technical Attributes.

External hex drive (mm)	22 mm
Size	1
Number of hooks	3
max. load	12 t
Clamping depth (h) mm	390 mm
Spindle thread size	G 1/2 x 250
External span max. mm (w1)	280 mm

Logistics data.

Depth mm (IFS)	455
Width mm (IFS)	210
Height mm (IFS)	175
Length (packed, mm)	620
Width (packed, mm)	240
Height (packed, mm)	230
Volume (packed, dm3)	34.224 dm3
Art. no.	71035001
Weight (gross, kg)	7,500
Weight PAP (kg)	0,812
Weight PVC (kg)	0,000
GTIN	4018754342013
Country of origin	GERMANY
Region of origin	Nordrhein-Westfalen
WEEE/ElektroG	nicht ear-pflichtig
Customs tariff no.	82055980
Packing standard	1
Weight	7700 g

Variants.

Art. no.	Art. no. (ERP)	Description	GTIN
71035001	11210/1 Abzieher, 3armig 280x390mm	Puller Clamping w.280mm x Clamping d.390mm	4018754342013

71035002 11210/2
Abzieher, 3armig
420x480mm

Puller Clamping w.420mm x Clamping
d.480mm

4018754342020

GTIN-Code.



Spare parts/spare part for.



79281004

Images.



STAHLWILLE Eduard Wille GmbH & Co. KG

Lindenallee 27 · 42349 Wuppertal · Germany · Phone: +49 202 4791-0 · Fax: +49 202 4791-200
info@stahlwille.de · www.stahlwille.com · Copyright by STAHLWILLE Eduard Wille GmbH & Co. KG, Wuppertal
Copyright by STAHLWILLE Eduard Wille GmbH & Co. KG, Wuppertal