



Double ended ring spanners i.TCS inlay

OPEN RING TCS 24/7, 8x10-19x22 mm

Art.No. 96838758

GTIN 4018754163649

Model TCS 24/7, 8X10-19X22 MM



Label.

Double ended ring spanners i.TCS inlay OPEN RING TCS 24/7, 8x10-19x22 mm 7 pcs.

Features.

- 175 x 350 x 35 mm
- 7-piece set

Advantages.

With the Tool Control System, the tools fit into chemical-resistant safety foam inserts with high-precision, 3-D cutouts

Technologies and features.



Double T-profile

The double T-profile of the STAHLWILLE open-ended and ring spanners has a recess in the middle of the shaft. This reduces the weight of the tool and ensures safe handling. The spanners provide exceptional grip and facilitates reduced work fatigue.



Anti-Slip-Drive

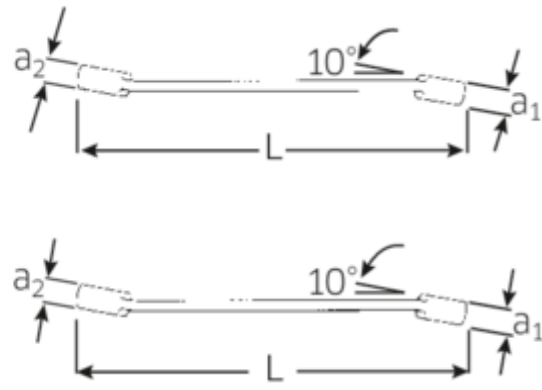
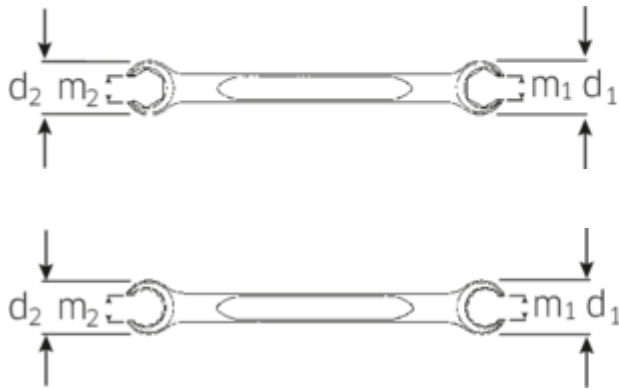
The AS-Drive® profile enables highforce transmission without damaging the fasteners. While the force acts on the flats of the screws, the corners are left free and are not rounded off.



Tool Control System

Safety-conscious inlays - designed to fit our Tool Trolleys and Tool Boxes. With yellow signal cut-outs to show whether all the tools are in their places.

Technical Drawing.



Technical Attributes.

Number of tools	7 pcs.
Range	8x10 - 19x22
Width mm (b)	175 mm
Height mm (h)	35 mm
Length mm (L)	350 mm

Logistics data.

Depth mm (IFS)	365
Width mm (IFS)	185
Height mm (IFS)	80
Length (packed, mm)	365
Width (packed, mm)	185
Height (packed, mm)	80
Volume (packed, dm3)	5.402 dm3
Art. no.	96838758
Weight (gross, kg)	1,124
Weight PAP (kg)	0,138
Weight PVC (kg)	0,000
GTIN	4018754163649
Country of origin	GERMANY
Region of origin	Nordrhein-Westfalen
WEEE/ElektroG	nicht ear-pflichtig
Customs tariff no.	82041100
Packing standard	1
Weight	780 g

Parts list.



41081214
Double ended open ring
spanner OPEN RING



41081113
Double ended open ring
spanner OPEN RING



41081011
Double ended open ring
spanner OPEN RING



41080810
Double ended open ring
spanner OPEN RING



41081922
OPEN RING spanner



41081719
OPEN RING spanner



41081417
OPEN RING spanner

Variants.

Art. no.	Art. no. (ERP)	Description	GTIN
96838758	TCS 24/7, 8X10-19X22 MM	Double ended ring spanners i.TCS inlay OPEN RING TCS 24/7, 8x10-19x22 mm 7 pcs.	4018754163649

GTIN-Code.



STAHLWILLE Eduard Wille GmbH & Co. KG

Lindenallee 27 · 42349 Wuppertal · Germany · Phone: +49 202 4791-0 · Fax: +49 202 4791-200

info@stahlwille.de · www.stahlwille.com · Copyright by STAHLWILLE Eduard Wille GmbH & Co. KG, Wuppertal

Copyright by STAHLWILLE Eduard Wille GmbH & Co. KG, Wuppertal