



## Mobile workbench

### WB 625

Art.No. 85010625  
GTIN 4018754334018  
Model WB 625

**Label.** Mobile workbench WB 625 7 Drawers Anthracite, RAL 7016 L.500mm x W.1150mm x H.1045mm

- Features.**
- three-stage safety concept:**
1. central locking with a lateral cylinder lock and hinged key
  2. individual locks prevent inadvertent opening while in transit
  3. tilt protection – it is not possible to pull out several drawers at the same time
- 7 easily removable drawers with full extension and ball bearing cage guide
  - Large work surface with multiplex beechwood worktop (with FSC certification), 1150 x 500 x 30 mm
  - oil- and acid-resistant wheels (125 mm diameter) with thread guards to protect the bearings from dirt and threads, with two locking brakes
  - paper roll holder
  - body RAL 7016, drawers RAL 9005 in sturdy industrial powder coating
  - can be fitted with STAHLWILLE standard and TCS inserts, 1 x 3/3 + 1 x 2/3 TCS insert per drawer
  - drawer dimensions 880 x 350mm, inner drawer heights: 4 x 72 mm, 2 x 110 mm, and 1 x 150 mm
  - two-sided perforated panel for hooks (No. 8031-8041)

## Advantages.

Birchwood multiplex worktop with a working height of 104 cm, FSC-certified.

Three-stage safety concept with single lock and foldable key.

Includes an individually adjustable paper roll holder for paper rolls up to 30 cm wide and a perforated panel on both sides.

Seven extra wide drawers with fully-extendable runners.

Outstanding durability thanks to the cleverly designed and sturdy construction.



## Product highlights.



### Ergonomic height.

The working height of 104 cm and the particularly large, FSC-certified worktop makes work more comfortable.



### Maximum storage space.

Everything in XXL. Seven removable drawers with full extension runners and a width of 880 mm offer plenty of storage space. For example, a 3/3 (XL) TCS insert fits in a drawer together with a 2/3 (L) TCS insert.



### Three-stage safety concept.

The central lock with a countersunk, side-mounted cylinder lock, together with the foldable key, protects against injury and damage. The individual drawer latches prevent unintentional opening when moving – the anti-tilt feature makes it impossible to pull out multiple drawers at the same time.



### Well thought out, sturdy design.

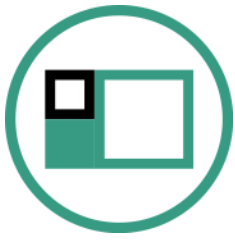
High-quality materials ensure the durability that is typical of STAHLWILLE, such as the sturdy housing and drawers with their industrial powder coating. The oil- and acid-resistant lightweight wheels (Ø 125 mm) are equipped with guards to protect the bearings from dirt and fibres, with two locking brakes.



### Perfect equipment.

Of course, our workbench is also available with matching tool sets. However, in case of individual requirements, we are also happy to assemble bespoke sets for our customers. Just get in touch.

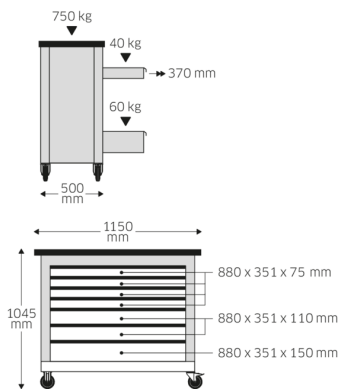
## Technologies and features.



### Inlay Modular System

The equipment of the workshop trolleys or cases can be varied with 1/6, 1/3, 2/3 or 3/3 inserts according to individual ideas.

## Technical Drawing.



## Technical Attributes.

Number of drawers	7
Width mm (b)	1150 mm
Colour	Anthracite, RAL 7016
Height mm (h)	1045 mm
Length mm (L)	500 mm
No.	WB 625
Internal drawer dimensions mm	880 x 351 x 75 mm (4x) 880 x 351 x 110 mm (2x) 880 x 351 x 150 mm (1x)
Drawer load capacity	40 kg 40 kg 60 kg
Load capacity	750 kg

## Logistics data.

Depth mm (IFS)	1150
Width mm (IFS)	500
Height mm (IFS)	890
Length (packed, mm)	1200
Width (packed, mm)	555
Height (packed, mm)	948
Volume (packed, dm <sup>3</sup> )	631.368 dm <sup>3</sup>
Art. no.	85010625
Weight (gross, kg)	106,500
Weight PAP (kg)	7,000
Weight PVC (kg)	0,180
GTIN	4018754334018
Country of origin	CHINA
Region of origin	Ausländischer Ursprung
WEEE/ElektroG	nicht ear-pflichtig
Customs tariff no.	94032080
Packing standard	1
Weight	97000 g

## Variants.

Art. no.	Art. no. (ERP)	Description	GTIN
85010625	WB 625	Mobile workbench WB 625 7 Drawers Anthracite, RAL 7016 L.500mm x W.1150mm x H.1045mm	4018754334018

## GTIN-Code.



## Accessories.



90432727  
Spray can holder



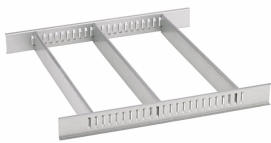
89010040  
Cable holder



83812070  
Empty tray for small  
components



81484001  
Drawer separator



81484002  
Drawer dividers



89010003  
Non-slip mat GRIPMAT



89010041  
Laptop holder

## Spare parts/spare part for.

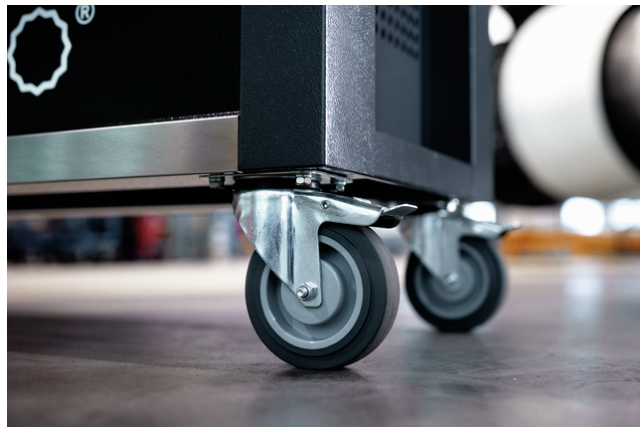


90432731  
Multiplex beech wood  
top



81490001  
Set of wheels

## Images.



**STAHLWILLE Eduard Wille GmbH & Co. KG**

Lindenallee 27 · 42349 Wuppertal · Germany · Phone: +49 202 4791-0 · Fax: +49 202 4791-200  
info@stahlwille.de · www.stahlwille.com · Copyright by STAHLWILLE Eduard Wille GmbH & Co. KG, Wuppertal  
Copyright by STAHLWILLE Eduard Wille GmbH & Co. KG, Wuppertal