



Ball joint puller

11703

Art.No. 71070003

GTIN 4018754346660

Model 11703 Kugelgelenkabzieher

Label.

Ball joint puller

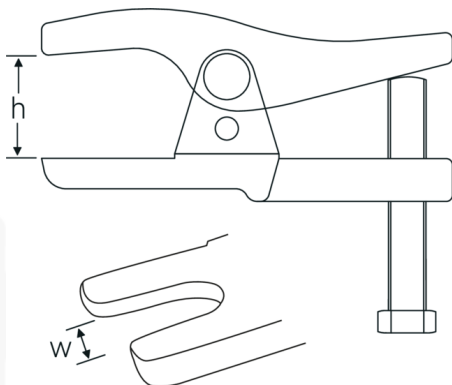
Product highlights.



For improved safety.

Designed with practical applications in mind, drop forged, precision machined on the latest machine tools, hardened and tempered: the STAHLWILLE puller range offers numerous products for a wide variety of applications. For example, standard pullers, cell terminal pullers, ejectors, counter stays, ball joint pullers and wheel hub pullers. Made, of course, in Germany as premium quality tools.

Technical Drawing.



Technical Attributes.

Fork opening (w)	35-45 mm
Clear hight (h) mm	115 mm
max. load	20 t
max. torque	200 N·m

Logistics data.

Depth mm (IFS)	325
Width mm (IFS)	250
Height mm (IFS)	165
Length (packed, mm)	325
Width (packed, mm)	250
Height (packed, mm)	165
Volume (packed, dm3)	13.40625 dm3
Art. no.	71070003
Weight (gross, kg)	6,500
Weight PAP (kg)	0,224
Weight PVC (kg)	0,000
GTIN	4018754346660
Country of origin	GERMANY
Region of origin	Nordrhein-Westfalen
WEEE/ElektroG	nicht ear-pflichtig
Customs tariff no.	82055980
Packing standard	1
Weight	2900 g

Variants.

Art. no.	Art. no. (ERP)	Description	GTIN
71070003	11703 Kugelgelenkabzieher	Ball joint puller	4018754346660

GTIN-Code.



STAHLWILLE Eduard Wille GmbH & Co. KG

Lindenallee 27 · 42349 Wuppertal · Germany · Phone: +49 202 4791-0 · Fax: +49 202 4791-200

info@stahlwille.de · www.stahlwille.com · Copyright by STAHLWILLE Eduard Wille GmbH & Co. KG, Wuppertal

Copyright by STAHLWILLE Eduard Wille GmbH & Co. KG, Wuppertal