

## VDE snipe nose plier w.cutter (radio- or telephone pliers)

### 6530 VDE



Art.No. **65308200**  
GTIN **4018754206315**  
Model **6530 8 200 VDE-  
FLACHRUNDZANGE MIT SCHNEIDE**



#### Label.

VDE snipe nose plier w.cutter (radio- or telephone pliers) L.200mm Head Chrome-plated Handles insulated, multi-component handles with softer layers, DIN EN 60900, #T; AC/1000 V

#### Features.

- DIN ISO 5745
- Form B (angled at 45° in the direction of the width)
- Flat-round, long jaws
- With burner hole for holding nuts and pin screws
- Toothed grip surfaces
- Precision blades for hard and soft wire
- Blades inductively hardened, approx. 60 HRC

#### Advantages.

DIN ISO 5745

#### Product highlights.



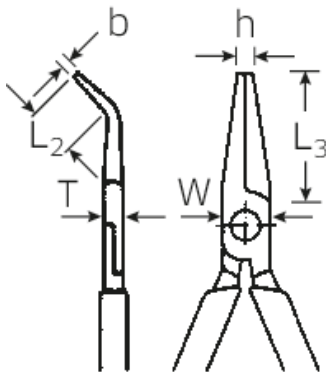
#### Safe.

The anti-slip protection prevents your hands slipping off towards the jaws.

## Technologies and features.



## Technical Drawing.



## Technical Attributes.

Jaw length mm (b)	76 mm
Width mm (b)	3 mm
Handles	insulated, multi-component handles with softer layers, DIN EN 60900, #T; AC/1000 V
Height mm (h)	3,5 mm
Head	Chrome-plated
Head width mm (a)	17 mm
Head thickness mm (T2)	9 mm
L2	28 mm
Length mm (L)	200 mm
Tip width mm (f)	3.5 mm
Tip thickness mm (T1)	3 mm

## Logistics data.

Depth mm (IFS)	202
Width mm (IFS)	58
Height mm (IFS)	30
Length (packed, mm)	204
Width (packed, mm)	60
Height (packed, mm)	31
Volume (packed, dm3)	0.37944 dm3
Art. no.	65308200
Weight (gross, kg)	0,205
Weight PAP (kg)	0,000
Weight PVC (kg)	0,005
GTIN	4018754206315
Country of origin	GERMANY
Region of origin	Thüringen
WEEE/ElektroG	nicht ear-pflichtig
Customs tariff no.	82032000
Packing standard	1
Weight	201 g

## Variants.

Art. no.	Art. no. (ERP)	Description	GTIN
65308160	6530 8 160 VDE- FLACHRUNDZANGE MIT SCHNEIDE	VDE snipe nose plier w.cutter (radio- or telephone pliers) L.160mm Head Chrome-plated Handles insulated, multi-component handles with softer layers, DIN EN 60900, #T; AC/1000 V	4018754206308
65308200	6530 8 200 VDE- FLACHRUNDZANGE MIT SCHNEIDE	VDE snipe nose plier w.cutter (radio- or telephone pliers) L.200mm Head Chrome-plated Handles insulated, multi-component handles with softer layers, DIN EN 60900, #T; AC/1000 V	4018754206315

## GTIN-Code.



**STAHLWILLE Eduard Wille GmbH & Co. KG**

Lindenallee 27 · 42349 Wuppertal · Germany · Phone: +49 202 4791-0 · Fax: +49 202 4791-200

info@stahlwille.de · www.stahlwille.com · Copyright by STAHLWILLE Eduard Wille GmbH & Co. KG, Wuppertal

Copyright by STAHLWILLE Eduard Wille GmbH & Co. KG, Wuppertal