



Range of tools with tool trolley

93/157QR

Art.No. **98830178**
GTIN **4018754335329**
Model **93/157QR**



Label.

Range of tools with tool trolley No.93/157QR Drawers6 Anthracite, RAL 7016 157 pcs.

Features.

Contents, 157 pieces:

- 1 Workshop trolley, anthracite No. 93/6 A: 6 drawers.
- 11 sockets, 1/4" no. 40: 5; 5.5; 6; 7; 8; 9; 10; 11; 12; 13; 14 mm
- 17 sockets, 1/2" no. 52: 10; 11; 12; 13; 14; 15; 16; 17; 18; 19; 20; 21; 22; 24; 27; 30; 32 mm
- 2 QuickRelease extensions, 1/4" No. 405QR: 54; 150 mm
- 1 QuickRelease fine-tooth ratchet no. 415QR N: 1/4"
- 1 Bit holder no. 412: 1/4"
- 1 Bit connector no. 3116
- 2 QuickRelease extensions, 1/2" No. 509QR: 130; 255 mm
- 1 QuickRelease fine-tooth ratchet No. 512QR N: 1/2"
- 1 Enlargement piece No. 410: 1/4 to 1/2"
- 1 Reducer No. 513: 1/2 to 3/8"
- 2 bit ratchets no. 4008: size 1; 2
- 1 bit holder no. 4007: 1/4
- 1 bit set no. 1206: 1 bit holder [L.25mm: SL4;5;6mm (2x) | PH1;2;3 (3x) | PZ1;2;3 (3x) | T10;15;20;25;27;30;40 (2x) | T BO10;15;20;25;27;30;40 | INHEX 3;4;5mm | L.75mm: SL6 mm | PH2;3 | PZ1;2 | T20;25 | 56-part
- 1 water pump pliers no. 6551: 240 mm
- 1 side cutter no. 6602: 160 mm
- 1 flat nose pliers no. 6529: 200 mm
- 1 combination pliers no. 6501: 180 mm
- 16 combination spanners no. 13: 6; 7; 8; 10; 11; 12; 13; 14; 15; 16; 17; 18; 19; 21; 22; 24 mm
- 1 Combination spanner, adjustable No. 4025
- 5 ratchet combination spanners No. 17F: 8; 10; 13; 17; 19 mm
- 1 Electrician's screwdriver no. 4628: 0.4x 2.5 x 60 mm
- 2 Screwdrivers for slotted screws No. 4620: 0.8 x 4.0 x 100; 1.6 x 10.0 x 200 mm
- 3 screwdrivers for cross-slotted head screws No. 4630: PH1; PH2; PH3
- 1 cable knife no. 12320
- 1 rolling tape measure No. 12935: 3 m
- 1 mini magnetic lifter No. 12600: 270 g
- 1 wooden folding ruler no. 13111: 2 m

1 set of TORX® ballpoint angled screwdrivers No. 10771/8: T9; T10; T15; T20; T25; T27; T30; T40; 8 pieces

1 set offset screwdrivers hexagon No. 10765/9: 1.5; 2; 2.5; 3; 4; 5; 6; 8; 10 mm; 9 pieces

1 fitter's hammer no. 10961: 500 g

1 soft-face hammer no. 10959: 35 mm

1 flat chisel, flat oval no. 102/175: 175 mm

1 pin punch, octagonal No. 108/150: 150 x 6 mm

1 centre punch, octagonal no. 105/100: 100 x 10 mm

1 pin punch no. 109/6: 3.4 mm

1 punch, octagonal no. 104/120: 120 mm

Advantages.

With the Tool Control System, the tools fit into chemical-resistant safety foam inserts with high-precision, 3-D cutouts

Product highlights.



High load capacity.

High static load capacity of up to 500 kg. The bottom drawer has a load capacity of up to 45 kg!



Safe.

Two-step safety concept: Central locking with a cylinder lock and hinged key. The anti-tilt feature makes it impossible to pull multiple drawers out at the same time.



Resistant.

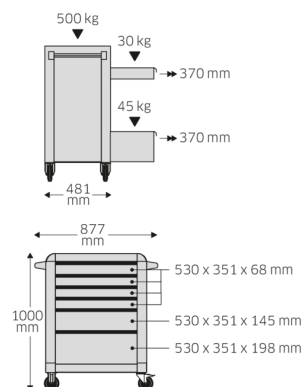
Oil and acid resistant smooth-running wheels (Ø 125 mm) with carpet protection to protect the bearings from dirt and fibres; with two locking brakes.



Convenient.

All drawers can be extended up to 100%. Combining the use of STAHLWILLE standard and TCS inserts, or the variable drawer dividers, ensures a clear overview and convenient access to tools.

Technical Drawing.



Technical Attributes.

Number of drawers	6
Number of tools	157 pcs.
Width mm (b)	877 mm
Colour	Anthracite, RAL 7016
Height mm (h)	1000 mm
Length mm (L)	481 mm

Logistics data.

Depth mm (IFS)	820
Width mm (IFS)	565
Height mm (IFS)	1210
Length (packed, mm)	820
Width (packed, mm)	565
Height (packed, mm)	1210
Volume (packed, dm3)	560.593 dm3
Art. no.	98830178
Weight (gross, kg)	82,000
Weight PAP (kg)	8,000
Weight PVC (kg)	0,000
GTIN	4018754335329
Country of origin	GERMANY
Region of origin	Nordrhein-Westfalen
WEEE/ElektroG	nicht ear-pflichtig
Customs tariff no.	82060000
Packing standard	1
Weight	82000 g

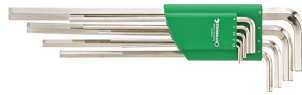
Parts list.



67213180
Power diagonal cutters



77490014
Rod light



96432100
Key wrench



96432700
Hexagon key wrench



96080156
Bit box



31160000
Manual bit connector



18090016
Bit holder T-handled



77470002
Wooden folding ruler



13030002
Adapter



11180010
Bit holder



11030003
Adapter



65295200
Snipe nose plier
w.cutter (radio- or
telephone pliers)



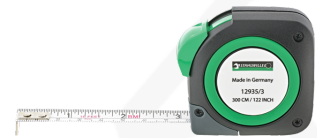
77020000
Electricians cable knife



70050001
Centre punch



70060002
Drift pin



77040010
Tape measure



70020004
Cold chisel



70090006
Pin punch



70070005
Parallel pin punch



77260027
Magnetic lifter



70191035
Plastic hammer



70110011
Engineers hammers



65516240
Waterpump plier



65015180
Combination plier



46303003
Cross-head
screwdriver DRALL+



46303002
Cross-head
screwdriver DRALL+



46303001
Cross-head
screwdriver DRALL+



46283025
Electricians
screwdriver for slotted
screws DRALL+



46203100
Screwdriver for slotted
screws DRALL+



46203040
Screwdriver for slotted
screws DRALL+



18120001
Bit ratchet screwdriver



13111120
QuickRelease ratchet,
fine tooth



11111020
QR fine-tooth ratchet



13011003
QuickRelease extension



13011002
QuickRelease extension



11011002
QuickRelease extension



11011001
QuickRelease extension



01010055
Sockets



01010014
Sockets



01010013
Sockets



01010012
Sockets



01010011
Sockets



01010010
Sockets



01010009
Sockets



01010008
Sockets



01010007
Sockets



01010006
Sockets



01010005
Sockets



03030032
Socket



03030030
Socket



03030027
Socket



03030024
Socket



03030022
Socket



03030021
Socket



03030020
Socket



03030019
Socket



03030018
Socket



03030017
Socket



03030016
Socket



03030015
Socket



03030014
Socket



03030013
Socket



03030012
Socket



03030011
Socket



03030010
Socket



40082424
Combination spanner
OPEN BOX



40082222
Combination spanner
OPEN BOX



40082121
Combination spanner
OPEN BOX



40081919
Combination spanner
OPEN BOX



40081818
Combination spanner
OPEN BOX



40081717
Combination spanner
OPEN BOX



40081616
Combination spanner
OPEN BOX



40081515
Combination spanner
OPEN BOX



40081414
Combination spanner
OPEN BOX



40081313
Combination spanner
OPEN BOX



40081212
Combination spanner
OPEN BOX



40081111
Combination spanner
OPEN BOX



40081010
Combination spanner
OPEN BOX



40080808
Combination spanner
OPEN BOX



40080707
Combination spanner
OPEN BOX



40080606
Combination spanner
OPEN BOX



40250110
Adjustable spanner



81200154
Tool trolley



40171919
OPEN RATCH
Combination ratcheting
spanner



40171717
OPEN RATCH
Combination ratcheting
spanner



40171313
OPEN RATCH
Combination ratcheting
spanner



40171010
OPEN RATCH
Combination ratcheting
spanner



40170808
OPEN RATCH
Combination ratcheting
spanner

Variants.

Art. no.	Art. no. (ERP)	Description	GTIN
98830178	93/157QR	Range of tools with tool trolley No.93/157QR Drawers6 Anthracite, RAL 7016 157 pcs.	4018754335329

GTIN-Code.



Accessories.



81484001
Drawer separator



89010003
Non-slip mat GRIPMAT



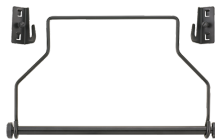
83812070
Empty tray for small components



89010040
Cable holder



90432658
Handle



81483004
Paper roll holder



90432644
Handle



90432727
Spray can holder



81200157
Toolbox



81200158
Chassis



89010042
Laptop holder adaptor

Spare parts/spare part for.



90432710
Impact protection



81490001
Set of wheels



81490005
Set of wheels



89480003
Set of wheels



90432644
Handle



90432658
Handle

Images.



STAHLWILLE Eduard Wille GmbH & Co. KG

Lindenallee 27 · 42349 Wuppertal · Germany · Phone: +49 202 4791-0 · Fax: +49 202 4791-200

info@stahlwille.de · www.stahlwille.com · Copyright by STAHLWILLE Eduard Wille GmbH & Co. KG, Wuppertal

Copyright by STAHLWILLE Eduard Wille GmbH & Co. KG, Wuppertal