



## Wheely box w.drawers CONVERTA

922N

Art.No. 96480002  
GTIN 4018754174454  
Model 922N

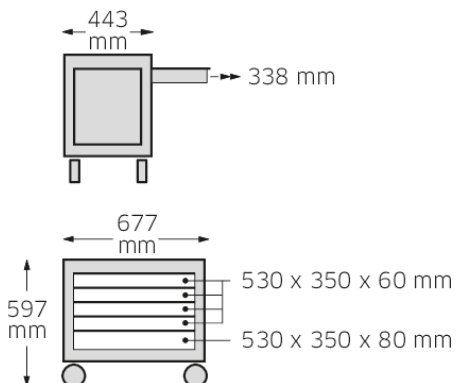
**Label.** Wheely box w.drawers CONVERTA red, RAL 3020

- Features.**
- with 4 wheels #0; 125 mm (2 pivoting castors, one wheel with parking brake)
  - with 5 silver-coloured drawers (height: 4 drawers 60 mm, 1 x 80 mm)
  - drawers are removable and lockable in fully extended position
  - the worktop of the case is fitted with an oil and skydrol resistant plastic mat with compartments for small components
  - spray can holders No SDH 921 can be retrofitted to the sides (please order separately)

## Advantages.

With 4 wheels (D.125 mm), 2 of which are steerable and one with a parking brake

## Technical Drawing.



## Technical Attributes.

Colour	red, RAL 3020
for no.	920
Height mm (h)	600 mm
Length mm (L)	800 mm

## Logistics data.

Depth mm (IFS)	800
Width mm (IFS)	600
Height mm (IFS)	600
Length (packed, mm)	800
Width (packed, mm)	600
Height (packed, mm)	600
Volume (packed, dm3)	288 dm3
Art. no.	96480002
Weight (gross, kg)	39,500
Weight PAP (kg)	4,500
Weight PVC (kg)	0,000
GTIN	4018754174454
Country of origin	OHNE
Region of origin	Ausländischer Ursprung
WEEE/ElektroG	nicht ear-pflichtig
Customs tariff no.	94032080
Packing standard	1
Weight	39500 g

## Variants.

Art. no.	Art. no. (ERP)	Description	GTIN
96480002	922N	Wheely box w.drawers CONVERTA red, RAL 3020	4018754174454

## GTIN-Code.



**STAHLWILLE Eduard Wille GmbH & Co. KG**

Lindenallee 27 · 42349 Wuppertal · Germany · Phone: +49 202 4791-0 · Fax: +49 202 4791-200

info@stahlwille.de · www.stahlwille.com · Copyright by STAHLWILLE Eduard Wille GmbH & Co. KG, Wuppertal

Copyright by STAHLWILLE Eduard Wille GmbH & Co. KG, Wuppertal