



Chassis

93 TOP BOX CADDY

Art.No. **81200158**
GTIN **4018754334421**
Model **93 TOP BOX CADDY**

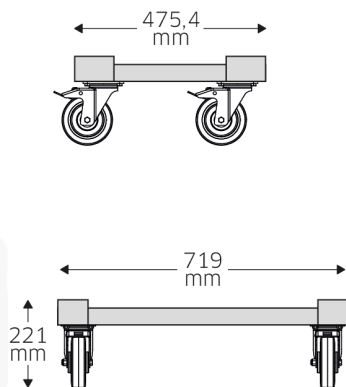
Label. Chassis 93 TOP BOX CADDY 765 x 525 x 160 mm

- Features.**
- oil- and acid-resistant smooth-running wheels (D.125 mm) with thread protection to protect the bearings from dirt and threads, with two parking brakes.
 - powder-coated body (black, RAL 9005)
 - can be combined with tool chest **No. 93 TOP BOX**

Advantages.

Stable frame for toolbox No. 93 TOP BOX – creates mobility in the workshop

Technical Drawing.



Technical Attributes.

Width mm (b)	525 mm
Colour	Black, RAL 9005
for no.	93 TOP BOX
Height mm (h)	160 mm
Length mm (L)	765 mm

Logistics data.

Depth mm (IFS)	765
Width mm (IFS)	525
Height mm (IFS)	160
Length (packed, mm)	765
Width (packed, mm)	525
Height (packed, mm)	160
Volume (packed, dm3)	64.26 dm3
Art. no.	81200158
Weight (gross, kg)	10,500
Weight PAP (kg)	2,500
Weight PVC (kg)	0,000
GTIN	4018754334421
Country of origin	CHINA
Region of origin	Ausländischer Ursprung
WEEE/ElektroG	nicht ear-pflichtig
Customs tariff no.	94039910
Packing standard	1
Weight	10600 g

Variants.

Art. no.	Art. no. (ERP)	Description	GTIN
81200158	93 TOP BOX CADDY	Chassis 93 TOP BOX CADDY 765 x 525 x 160 mm	4018754334421

GTIN-Code.



Accessories.



81200157
Toolbox



98830178
Range of tools with tool
trolley



98830189
Tool assortment in TOP
BOX

Images.

