



## Ball joint puller

11702

Art.No. 71070002

GTIN 4018754342389

Model 11702 Kugelgelenkabzieher

Label.

Ball joint puller

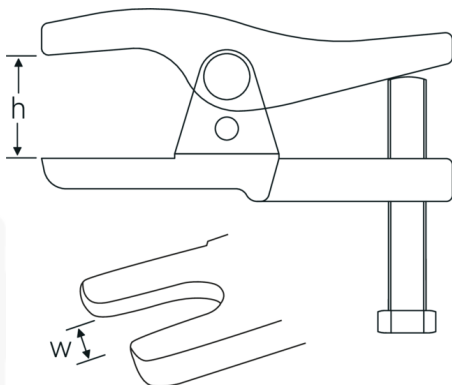
## Product highlights.



### For improved safety.

Designed with practical applications in mind, drop forged, precision machined on the latest machine tools, hardened and tempered: the STAHLWILLE puller range offers numerous products for a wide variety of applications. For example, standard pullers, cell terminal pullers, ejectors, counter stays, ball joint pullers and wheel hub pullers. Made, of course, in Germany as premium quality tools.

## Technical Drawing.



## Technical Attributes.

Fork opening (w)	20 mm
External hex drive (mm)	24 mm
Clear hight (h) mm	50-80 mm

## Logistics data.

Depth mm (IFS)	155
Width mm (IFS)	135
Height mm (IFS)	50
Length (packed, mm)	190
Width (packed, mm)	145
Height (packed, mm)	90
Volume (packed, dm3)	2.4795 dm3
Art. no.	71070002
Weight (gross, kg)	1,660
Weight PAP (kg)	0,010
Weight PVC (kg)	0,000
GTIN	4018754342389
Country of origin	GERMANY
Region of origin	Nordrhein-Westfalen
WEEE/ElektroG	nicht ear-pflichtig
Customs tariff no.	82055980
Packing standard	1
Weight	1740 g

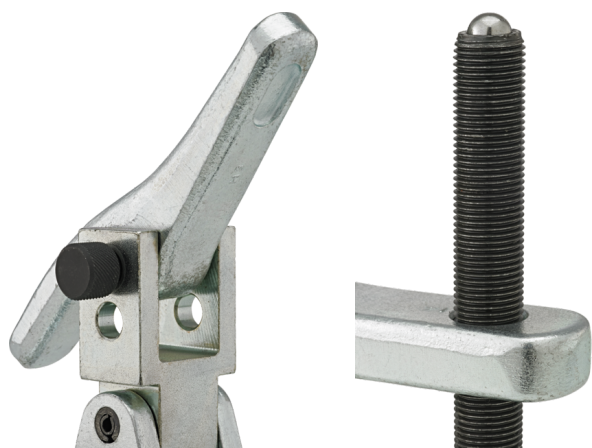
## Variants.

Art. no.	Art. no. (ERP)	Description	GTIN
71070002	11702 Kugelgelenkabzieher	Ball joint puller	4018754342389

## GTIN-Code.



## Images.



**STAHLWILLE Eduard Wille GmbH & Co. KG**

Lindenallee 27 · 42349 Wuppertal · Germany · Phone: +49 202 4791-0 · Fax: +49 202 4791-200  
info@stahlwille.de · www.stahlwille.com · Copyright by STAHLWILLE Eduard Wille GmbH & Co. KG, Wuppertal  
Copyright by STAHLWILLE Eduard Wille GmbH & Co. KG, Wuppertal