



## Tool trolley

### TTS 93/6

Art.No. 81200154  
GTIN 4018754327508  
Model 93/6 A

**Label.** Tool trolley TTS 93/6 6 Drawers 481 x 877 x 1000 mm Anthracite, RAL 7016

- Features.**
- **two-stage safety concept:**
    1. central locking through cylinder lock with hinged key
    2. topple proof – it is not possible to pull out several drawers at the same time
  - 2 handles
  - all-round impact protection
  - durable plastic tray made of ABS with compartments for small parts
  - oil- and acid-resistant smooth-running wheels (D.125 mm) with thread guards to protect the bearings from dirt and threads, with two locking brakes
  - hole pattern on both sides for hooks No. 8031-8041, e.g. for larger tools
  - can be fitted with STAHLWILLE standard and TCS inserts
  - 6 easily removable drawers (black, RAL 9005) with full extension (370 mm) and ball bearing cage guide
  - with paper roll holder
  - can be fitted with STAHLWILLE TCS inserts (per drawer 1 x 3/3)

## Advantages.

Two-stage safety concept: 1. Central lock by cylinder lock with folding key 2. Tilt protection – it is not possible to pull out several drawers at the same time

Oil- and acid-resistant lightweight wheels (125 mm) with thread guards protect the bearings from dirt and threads, with two parking brakes

High static load capacity of up to 500 kg - the bottom drawer has a load capacity of up to 45 kg

2 handles, all-round impact protection and a hard-wearing plastic shelf made of ABS with practical compartments for small parts

Central locking by cylinder lock with folding key, the anti-tilt device prevents several drawers from being pulled out at the same time

## Product highlights.



### High load capacity.

High static load capacity of up to 500 kg. The bottom drawer has a load capacity of up to 45 kg!



### Safe.

Two-step safety concept: Central locking with a cylinder lock and hinged key. The anti-tilt feature makes it impossible to pull multiple drawers out at the same time.



### Resistant.

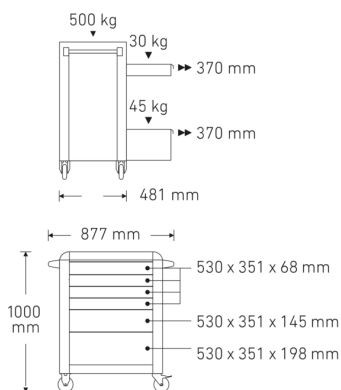
Oil and acid resistant smooth-running wheels (Ø 125 mm) with carpet protection to protect the bearings from dirt and fibres; with two locking brakes.



### Convenient.

All drawers can be extended up to 100%. Combining the use of STAHLWILLE standard and TCS inserts, or the variable drawer dividers, ensures a clear overview and convenient access to tools.

## Technical Drawing.



## Technical Attributes.

Number of drawers	6
Width mm (b)	877 mm
Colour	Anthracite, RAL 7016
Colour abbreviation	RAL 7016; RAL 9005

## Logistics data.

Depth mm (IFS)	750
Width mm (IFS)	480
Height mm (IFS)	840
Length (packed, mm)	825

<b>Height mm (h)</b>	1000 mm	<b>Width (packed, mm)</b>	562
<b>Length mm (L)</b>	481 mm	<b>Height (packed, mm)</b>	910
<b>No.</b>	93/6 A	<b>Volume (packed, dm3)</b>	421.9215 dm3
<b>Internal drawer dimensions mm</b>	351 x 530 x 68 mm (4x) 351 x 530 x 145 mm (1x) 351 x 530 x 198 mm (1x)	<b>Art. no.</b>	81200154
<b>Drawer load capacity</b>	30 kg 30 kg 45 kg	<b>Weight (gross, kg)</b>	64,000
<b>Load capacity</b>	500 kg	<b>Weight PAP (kg)</b>	3,000
		<b>Weight PVC (kg)</b>	0,000
		<b>GTIN</b>	4018754327508
		<b>Country of origin</b>	CHINA
		<b>Region of origin</b>	Ausländischer Ursprung
		<b>WEEE/ElektroG</b>	nicht ear-pflichtig
		<b>Customs tariff no.</b>	94032080
		<b>Packing standard</b>	1
		<b>Weight</b>	57000 g

## Variants.

Art. no.	Art. no. (ERP)	Description	GTIN
81200154	93/6 A	Tool trolley TTS 93/6 6 Drawers 481 x 877 x 1000 mm Anthracite, RAL 7016	4018754327508
81200155	93/6 R	Tool trolley TTS 93/6 6 Drawers 481 x 877 x 1000 mm Red, RAL 3020	4018754333080
81200156	93/6 B	Tool trolley TTS 93/6 6 Drawers 481 x 877 x 1000 mm Blue, RAL 2703035	4018754333097

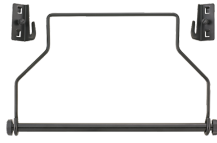
## GTIN-Code.



## Accessories.



90432727  
Spray can holder



81483004  
Paper roll holder



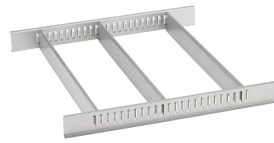
89010040  
Cable holder



83812070  
Empty tray for small  
components



81484001  
Drawer separator



81484002  
Drawer dividers



89010003  
Non-slip mat GRIPMAT



81200157  
Toolbox



89010042  
Laptop holder adaptor

## Spare parts/spare part for.



90432658  
Handle



90432644  
Handle



81490001  
Set of wheels

## Images.



**STAHLWILLE Eduard Wille GmbH & Co. KG**

Lindenallee 27 · 42349 Wuppertal · Germany · Phone: +49 202 4791-0 · Fax: +49 202 4791-200  
info@stahlwille.de · www.stahlwille.com · Copyright by STAHLWILLE Eduard Wille GmbH & Co. KG, Wuppertal  
Copyright by STAHLWILLE Eduard Wille GmbH & Co. KG, Wuppertal