

UNIFLEX socket

47TX



Art.No. 02070010
GTIN 4018754002726
Model 47 TX E 10 GELENK-
STECKSCHLUESSELEINSATZ 3/8
ZOLL

Label. 3/8" UNIFLEX socket L.44mm

Features.

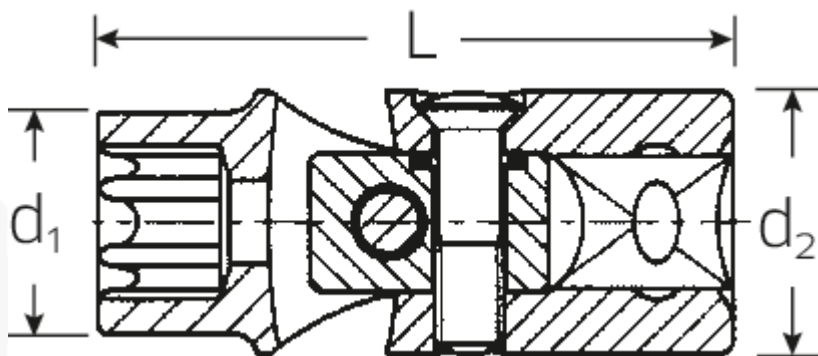
- for external TORX® screws
- Chrome Alloy Steel, chrome plated

Advantages.

For external TORX® screws

STAHLWILLE: For over 160 years, we as a traditional German company from Wuppertal have stood for tools that are appreciated around the world for their excellent quality

Technical Drawing.



Technical Attributes.

Output profile	TORX®
Drive square internal (inch)	3/8"
d1	13,8 mm
d2	19 mm
Size Output profile	E10
Length mm (L)	44 mm

Logistics data.

Length (IFS)	45
Width (IFS)	20
Height (IFS)	20
Length (packed, mm)	45
Width (packed, mm)	20
Height (packed, mm)	20
Volume (packed, mm)	0.018 dm3
Code	02070010
Weight (gross, kg)	0,061
Weight PAP (kg)	0,000
Weight PVC (kg)	0,002
GTIN	4018754002726
Country of origin	GERMANY
Region of origin	Nordrhein-Westfalen
WEEE/Electrical Act	nicht ear-pflichtig
Customs tariff no.	82042000
Numbers of content units per order units	1
Weight	61 g

Variants.

Code	Article number (ERP)	Article description (Autom.„)	GTIN
02070008	47 TX E 8 GELENK- STECKSCHLUESSELEINSATZ 3/8 ZOLL	3/8" UNIFLEX socket L.43mm	4018754002719
02070010	47 TX E 10 GELENK- STECKSCHLUESSELEINSATZ 3/8 ZOLL	3/8" UNIFLEX socket L.44mm	4018754002726
02070012	47 TX E 12 GELENK- STECKSCHLUESSELEINSATZ 3/8 ZOLL	3/8" UNIFLEX socket L.46mm	4018754002733
02070014	47 TX E 14 GELENK- STECKSCHLUESSELEINSATZ 3/8 ZOLL	3/8" UNIFLEX socket L.48mm	4018754002740

GTIN-Code.



STAHLWILLE Eduard Wille GmbH & Co. KG

Lindenallee 27 · 42349 Wuppertal · Germany · Phone: +49 202 4791-0 · Fax: +49 202 4791-200
info@stahlwille.de · www.stahlwille.de · Copyright by STAHLWILLE Eduard Wille GmbH & Co. KG, Wuppertal
Copyright by STAHLWILLE Eduard Wille GmbH & Co. KG, Wuppertal