

Adapter

447a



Art.No. **02470032**
GTIN **4018754136414**
Model **447A 1/2**



Label. Adapter 1/2" Inside square 3/8"

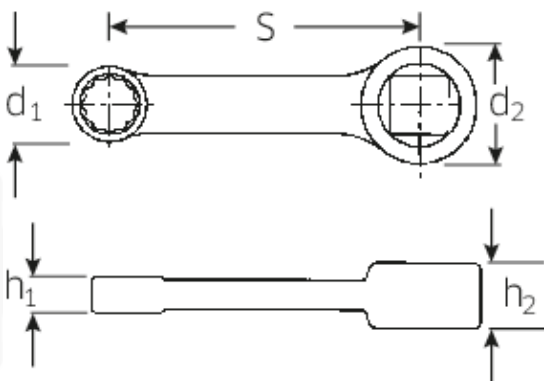
- Features.**
- SAE AS 954-E
 - HPQ® high performance steel, gunmetal finish
 - Caution! Modified settings on torque wrench

Advantages.

SAE AS 954-E

STAHLWILLE: For over 160 years, we as a traditional German company from Wuppertal have stood for tools that are appreciated around the world for their excellent quality

Technical Drawing.



Technical Attributes.

d1	19 mm
d2	19 mm
Height mm (h1)	9,2 mm
Height mm (h2)	11 mm
Female square drive [inches]	3/8 "
S	50,8 mm
Size [inch]	1/2 "

Logistics data.

Length (IFS)	70
Width (IFS)	20
Height (IFS)	12
Length (packed, mm)	80
Width (packed, mm)	25
Height (packed, mm)	14
Volume (packed, mm)	0.028 dm3
Code	02470032
Weight (gross, kg)	0,060
Weight PAP (kg)	0,000
Weight PVC (kg)	0,002
GTIN	4018754136414
Country of origin	GERMANY
Region of origin	Nordrhein-Westfalen
WEEE/Electrical Act	nicht ear-pflichtig
Customs tariff no.	82042000
Numbers of content units per order units	1
Weight	56 g

Variants.

Code	Article number (ERP)	Article description (Autom._)	GTIN
02470016	447A 1/4	Adapter 1/4" Inside square 3/8"	4018754136377
02470020	447A 5/16	Adapter 5/16" Inside square 3/8"	4018754136384
02470024	447A 3/8	Adapter 3/8" Inside square 3/8"	4018754136391
02470028	447A 7/16	Adapter 7/16" Inside square 3/8"	4018754136407
02470032	447A 1/2	Adapter 1/2" Inside square 3/8"	4018754136414
02470034	447A 9/16	Adapter 9/16" Inside square 3/8"	4018754136421
02470036	447A 5/8	Adapter 5/8" Inside square 3/8"	4018754136438

GTIN-Code.



STAHLWILLE Eduard Wille GmbH & Co. KG

Lindenallee 27 · 42349 Wuppertal · Germany · Phone: +49 202 4791-0 · Fax: +49 202 4791-200
info@stahlwille.de · www.stahlwille.de · Copyright by STAHLWILLE Eduard Wille GmbH & Co. KG, Wuppertal
Copyright by STAHLWILLE Eduard Wille GmbH & Co. KG, Wuppertal