

## UNIFLEX socket

47TX



Art.No. 02070014  
GTIN 4018754002740  
Model 47 TX E 14 GELENK-  
STECKSCHLUESSELEINSATZ 3/8  
ZOLL

**Label.** 3/8" UNIFLEX socket L.48mm

**Features.**

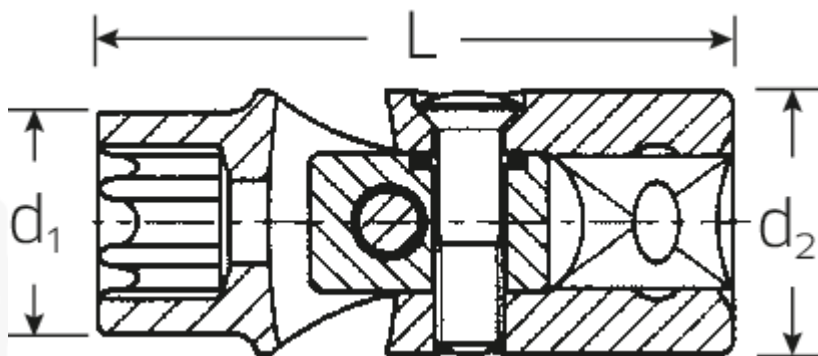
- for external TORX® screws
- Chrome Alloy Steel, chrome plated

## Advantages.

For external TORX® screws

STAHLWILLE: For over 160 years, we as a traditional German company from Wuppertal have stood for tools that are appreciated around the world for their excellent quality

## Technical Drawing.



## Technical Attributes.

Output profile	TORX®
Drive square internal (inch)	3/8"
d1	17,8 mm
d2	19 mm
Size Output profile	E14
Length mm (L)	48 mm

## Logistics data.

Length (IFS)	48
Width (IFS)	21
Height (IFS)	21
Length (packed, mm)	48
Width (packed, mm)	21
Height (packed, mm)	21
Volume (packed, mm)	0.021168 dm3
Code	02070014
Weight (gross, kg)	0,075
Weight PAP (kg)	0,000
Weight PVC (kg)	0,002
GTIN	4018754002740
Country of origin	GERMANY
Region of origin	Nordrhein-Westfalen
WEEE/Electrical Act	nicht ear-pflichtig
Customs tariff no.	82042000
Numbers of content units per order units	1
Weight	75 g

## Variants.

Code	Article number (ERP)	Article description (Autom.)	GTIN
02070008	47 TX E 8 GELENK- STECKSCHLUESSELEINSATZ 3/8 ZOLL	3/8" UNIFLEX socket L.43mm	4018754002719
02070010	47 TX E 10 GELENK- STECKSCHLUESSELEINSATZ 3/8 ZOLL	3/8" UNIFLEX socket L.44mm	4018754002726
02070012	47 TX E 12 GELENK- STECKSCHLUESSELEINSATZ 3/8 ZOLL	3/8" UNIFLEX socket L.46mm	4018754002733
02070014	47 TX E 14 GELENK- STECKSCHLUESSELEINSATZ 3/8 ZOLL	3/8" UNIFLEX socket L.48mm	4018754002740

## GTIN-Code.



**STAHLWILLE Eduard Wille GmbH & Co. KG**

Lindenallee 27 · 42349 Wuppertal · Germany · Phone: +49 202 4791-0 · Fax: +49 202 4791-200  
info@stahlwille.de · www.stahlwille.de · Copyright by STAHLWILLE Eduard Wille GmbH & Co. KG, Wuppertal  
Copyright by STAHLWILLE Eduard Wille GmbH & Co. KG, Wuppertal