

## Adapter

447a



Art.No. **02470016**  
GTIN **4018754136377**  
Model **447A 1/4**



**Label.** Adapter 1/4" Inside square 3/8"

**Features.**

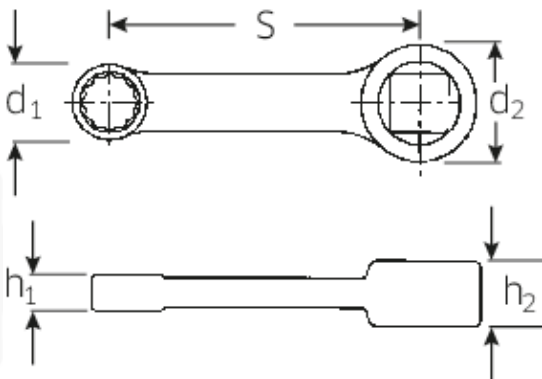
- SAE AS 954-E
- HPQ® high performance steel, gunmetal finish
- Caution! Modified settings on torque wrench

## Advantages.

SAE AS 954-E

STAHLWILLE: For over 160 years, we as a traditional German company from Wuppertal have stood for tools that are appreciated around the world for their excellent quality

## Technical Drawing.



## Technical Attributes.

<b>d1</b>	10,4 mm
<b>d2</b>	19 mm
<b>Height mm (h1)</b>	6 mm
<b>Height mm (h2)</b>	11 mm
<b>Female square drive [inches]</b>	3/8 "
<b>S</b>	50,8 mm
<b>Size [inch]</b>	1/4 "

## Logistics data.

<b>Length (IFS)</b>	61
<b>Width (IFS)</b>	15
<b>Height (IFS)</b>	7
<b>Length (packed, mm)</b>	71
<b>Width (packed, mm)</b>	25
<b>Height (packed, mm)</b>	9
<b>Volume (packed, mm)</b>	0.015975 dm3
<b>Code</b>	02470016
<b>Weight (gross, kg)</b>	0,031
<b>Weight PAP (kg)</b>	0,000
<b>Weight PVC (kg)</b>	0,002
<b>GTIN</b>	4018754136377
<b>Country of origin</b>	GERMANY
<b>Region of origin</b>	Nordrhein-Westfalen
<b>WEEE/Electrical Act</b>	nicht ear-pflichtig
<b>Customs tariff no.</b>	82042000
<b>Numbers of content units per order units</b>	1
<b>Weight</b>	27 g

## Variants.

<b>Code</b>	<b>Article number (ERP)</b>	<b>Article description (Autom._)</b>	<b>GTIN</b>
02470016	447A 1/4	Adapter 1/4" Inside square 3/8"	4018754136377
02470020	447A 5/16	Adapter 5/16" Inside square 3/8"	4018754136384
02470024	447A 3/8	Adapter 3/8" Inside square 3/8"	4018754136391
02470028	447A 7/16	Adapter 7/16" Inside square 3/8"	4018754136407
02470032	447A 1/2	Adapter 1/2" Inside square 3/8"	4018754136414
02470034	447A 9/16	Adapter 9/16" Inside square 3/8"	4018754136421
02470036	447A 5/8	Adapter 5/8" Inside square 3/8"	4018754136438

## GTIN-Code.



### **STAHLWILLE Eduard Wille GmbH & Co. KG**

Lindenallee 27 · 42349 Wuppertal · Germany · Phone: +49 202 4791-0 · Fax: +49 202 4791-200  
info@stahlwille.de · www.stahlwille.de · Copyright by STAHLWILLE Eduard Wille GmbH & Co. KG, Wuppertal  
Copyright by STAHLWILLE Eduard Wille GmbH & Co. KG, Wuppertal