

## Adapter

447



Art.No. 02181009  
GTIN 4018754140992  
Model 447 9



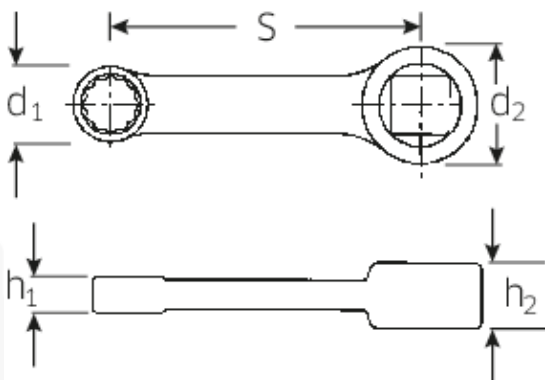
**Label.** Adapter 9mm Inside square 3/8"

- Features.**
- HPQ® high performance steel, gunmetal finish
  - Caution! Modified settings on torque wrench <!-- (refer to note on page [170524]) -->

## Advantages.

STAHLWILLE: For over 160 years, we as a traditional German company from Wuppertal have stood for tools that are appreciated around the world for their excellent quality

## Technical Drawing.



## Technical Attributes.

d1	14 mm
d2	19 mm
Height mm (h1)	8 mm
Height mm (h2)	11 mm
Female square drive [inches]	3/8 "
S	50,8 mm
Size [mm]	9 mm

## Logistics data.

Length (IFS)	68
Width (IFS)	19
Height (IFS)	11
Length (packed, mm)	105
Width (packed, mm)	40
Height (packed, mm)	12
Volume (packed, mm)	0.0504 dm <sup>3</sup>
Code	02181009
Weight (gross, kg)	0,045
Weight PAP (kg)	0,000
Weight PVC (kg)	0,002
GTIN	4018754140992
Country of origin	GERMANY
Region of origin	Nordrhein-Westfalen
WEEE/Electrical Act	nicht ear-pflichtig
Customs tariff no.	82042000
Numbers of content units per order units	1
Weight	40 g

## Variants.

Code	Article number (ERP)	Article description (Autom._)	GTIN
02181007	447 7	Adapter 7mm Inside square 3/8"	4018754139125
02181008	447 8	Adapter 8mm Inside square 3/8"	4018754139132
02181009	447 9	Adapter 9mm Inside square 3/8"	4018754140992
02181010	447 10	Adapter 10mm Inside square 3/8"	4018754141005
02181013	447 13	Adapter 13mm Inside square 3/8"	4018754141012

## GTIN-Code.





**STAHLWILLE Eduard Wille GmbH & Co. KG**

Lindenallee 27 · 42349 Wuppertal · Germany · Phone: +49 202 4791-0 · Fax: +49 202 4791-200  
info@stahlwille.de · www.stahlwille.de · Copyright by STAHLWILLE Eduard Wille GmbH & Co. KG, Wuppertal  
Copyright by STAHLWILLE Eduard Wille GmbH & Co. KG, Wuppertal