



Socket

56

Art.No. 05020036
GTIN 4018754008988
Model 56 36



Label. 3/4" Socket size 36mm L.90mm

- Features.**
- DIN 3124/ISO 2725-1, ASME B 107.5 M
 - extra deep
 - AS-drive and HPQ® high performance steel up to 36 mm, chrome plated

Advantages.

DIN 3124/ISO 2725-1, ASME B 107.5 M

STAHLWILLE: For over 160 years, we as a traditional German company from Wuppertal have stood for tools that are appreciated around the world for their excellent quality

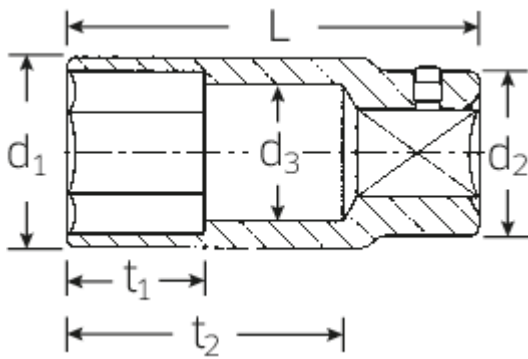
Product highlights.



CONVENIENT.

Do you need empty cases? If so, include the appropriate hard-foam inlays from STAHLWILLE in your order. Together with the new tool cases, they ensure an exact fit and, as a result, excellent protection for your tools.

Technical Drawing.



Technical Attributes.

Output profile	Hexagon AS drive
Drive square internal (inch)	3/4"
d1	49,5 mm
d2	40 mm
d3	33 mm
Length mm (L)	90 mm
Size [mm]	36 mm
t1	40 mm
t2	63,9 mm

Logistics data.

Length (IFS)	90
Width (IFS)	50
Height (IFS)	50
Length (packed, mm)	95
Width (packed, mm)	95
Height (packed, mm)	51
Volume (packed, mm)	0.460275 dm ³
Code	05020036
Weight (gross, kg)	1,140
Weight PAP (kg)	0,000
Weight PVC (kg)	0,008
GTIN	4018754008988
Country of origin	GERMANY
Region of origin	Nordrhein-Westfalen
WEEE/Electrical Act	nicht ear-pflichtig
Customs tariff no.	82042000
Numbers of content units per order units	2
Weight	570 g

Variants.

Code	Article number (ERP)	Article description (Autom._)	GTIN
05020022	56 22	3/4" Socket size 22mm L.90mm	4018754008926
05020024	56 24	3/4" Socket size 24mm L.90mm	4018754008933

05020027	56 27	3/4" Socket size 27mm L.90mm	4018754008940
05020030	56 30	3/4" Socket size 30mm L.90mm	4018754008957
05020032	56 32	3/4" Socket size 32mm L.90mm	4018754008964
05020034	56 34	3/4" Socket size 34mm L.90mm	4018754008971
05020036	56 36	3/4" Socket size 36mm L.90mm	4018754008988
05020041	56 41	3/4" Socket size 41mm L.90mm	4018754008995

GTIN-Code.



STAHLWILLE Eduard Wille GmbH & Co. KG

Lindenallee 27 · 42349 Wuppertal · Germany · Phone: +49 202 4791-0 · Fax: +49 202 4791-200
info@stahlwille.de · www.stahlwille.de · Copyright by STAHLWILLE Eduard Wille GmbH & Co. KG, Wuppertal
Copyright by STAHLWILLE Eduard Wille GmbH & Co. KG, Wuppertal